

AP BluePRO

High head impeller

DESIGN BY

pininfarina

All product images are indicative only



General characteristics

high head impeller	
motor power	0,74 ÷ 1,5 kW
poles	2
discharge	GAS 1½"-DN32 horizontal
free passage	max 6 mm
max flow rate	7.1 l/s
max head	26.6 m

Electromechanical assembly

Electromechanical assembly in EN-GJL-250 cast iron, for submerged operation, fitted with 2 (two) opposing silicon carbide mechanical seals in oil sump, and V-ring in direct contact with the liquid. Ecological dry motor. Pump body in single casting with motor casing.

Applications

Used for clear wastewater, rainwater and seepage containing small amounts of sand. Its high manometric head makes this series suitable for the creation of water features and decorative fountains. This electric pump is intended for both domestic and professional use.

Construction materials

Case	Cast iron EN-GJL 250
Impeller	Cast iron EN-GJL-250
Nuts and bolts	Stainless steel - Class A2-70
Standard gasket	Rubber - NBR
Shaft	Stainless steel - AISI 420
Paint type	Ecological bicomponent epoxy (medium thickness 80 µm)
Set of standard mechanical seals	Two silicon carbide mechanical seals (2SiC), V-ring

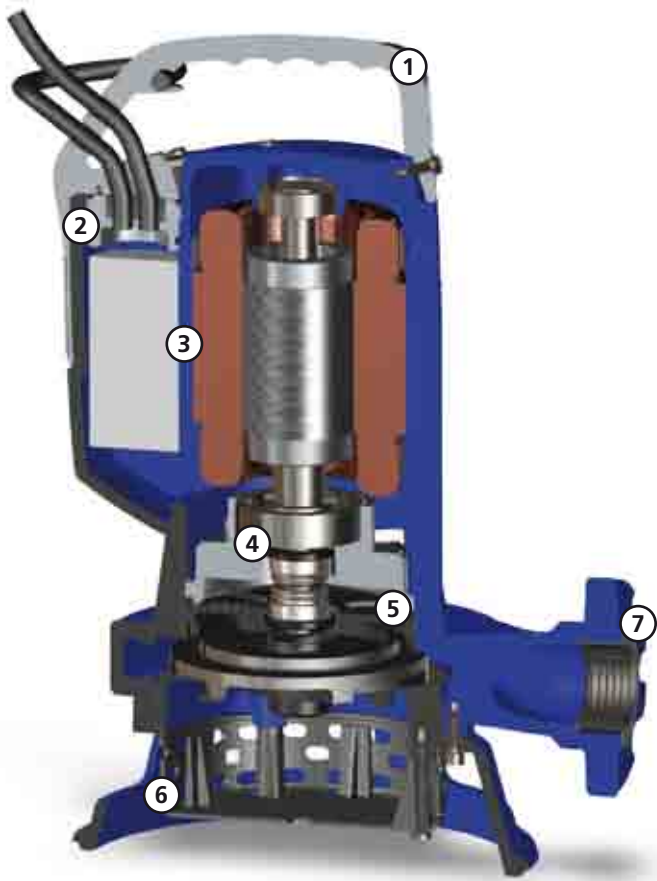
Operating limits

Maximum operating temperature	40 °C
PH of treated fluid	6 ÷ 14
Viscosity of treated fluid	1 mm ² /s
Maximum immersion depth	20 m
Density of treated fluid	1 Kg/dm ³
Maximum acoustic pressure	70 dB
max starts per hour	30

Models available in IECEx certified version

Ex nA IIC T3
Ex nA nC IIC T3

AP BluePRO



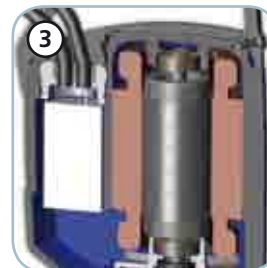
Lifting handle

Ergonomic technopolymer lifting and carrying handle. Clip floatswitch adjustment.



Cable gland System

Innovative cable gland system with twin O-rings to ensure maximum tightness.



Motor and electrical equipment

Dry motor with thermal protections. Single-phase models with internal capacitor. Three-phase models with motor protection relay.



Mechanical seals

Two silicon carbide mechanical seals (2SiC), and V-ring in direct contact with the liquid.



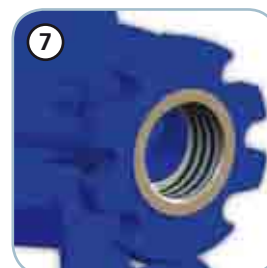
Oil sump

Oil sump which guarantees longer mechanical seal lifetime, and is easily accessible thanks to a patented system to simplify maintenance procedures.



Intake strainer

Intake strainer in impact-resistant polypropylene and spheroidal cast iron feet.



Discharge

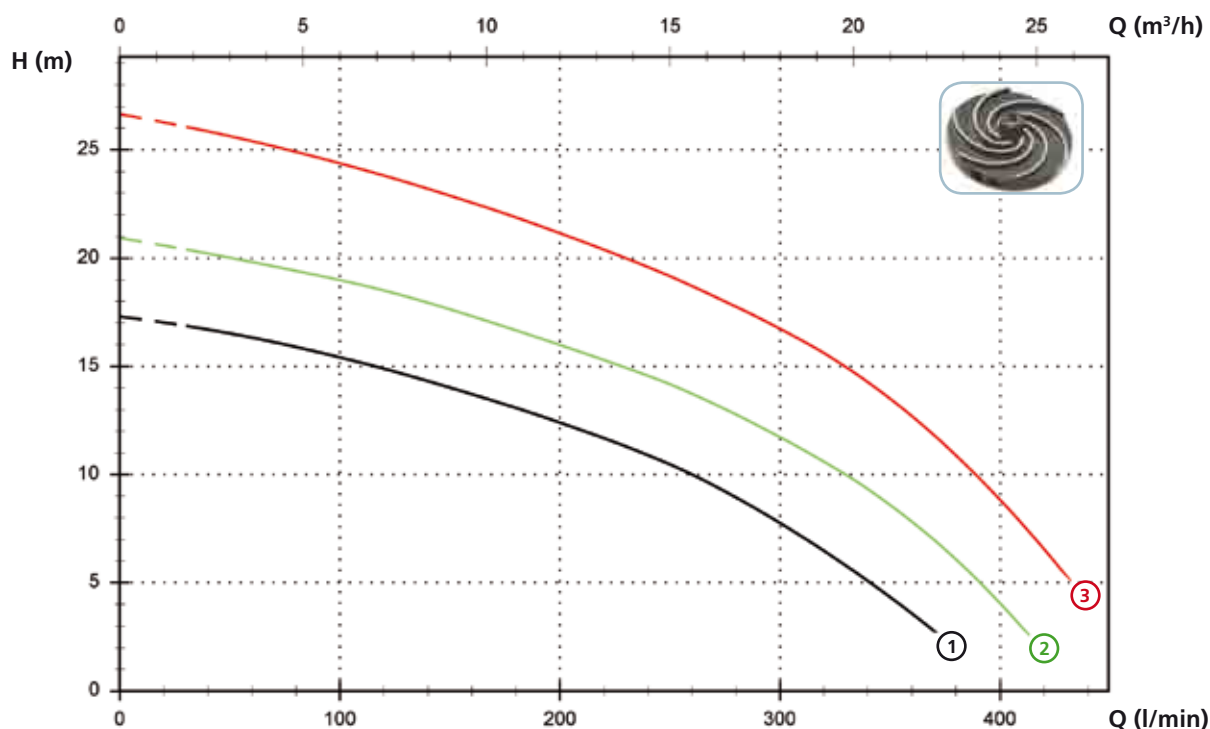
Threaded, flanged discharge for the maximum ease of installation.

AP BluePRO

Models with horizontal GAS 1½" threaded discharge and DN32 PN6 flange - 2 poles

Performances

	l/s	0	1	2	3	4	5	6	7
	l/min	0	60	120	180	240	300	360	420
	m³/h	0	3.6	7.2	10.8	14.4	18.0	21.6	25.2
① AP BluePRO 100/2/G40H A1CM(T)/50		17.3	16.3	14.9	13.1	10.9	7.8	3.6	
② AP BluePRO 150/2/G40H A1CM(T)/50		20.9	19.8	18.5	16.7	14.6	11.7	7.8	
③ AP BluePRO 200/2/G40H A1CM(T)/50		26.6	25.4	23.8	21.9	19.6	16.7	12.7	6.6



Technical data

	V	Phases	P1 (kw)	P2 (kw)	A	Rpm	Start	Ø	Free passage
① AP BluePRO 100/2/G40H A1CM/50	230	1	-	0.74	5.5	2900	Dir	G 1½"-DN32 PN6	6 mm
② AP BluePRO 150/2/G40H A1CM/50	230	1	-	1.1	7.5	2900	Dir	G 1½"-DN32 PN6	6 mm
③ AP BluePRO 200/2/G40H A1CM/50	230	1	-	1.5	10	2900	Dir	G 1½"-DN32 PN6	6 mm

	V	Phases	P1 (kw)	P2 (kw)	A	Rpm	Start	Ø	Free passage
① AP BluePRO 100/2/G40H A1CT/50	400	3	-	0.74	2.7	2900	Dir	G 1½"-DN32 PN6	6 mm
② AP BluePRO 150/2/G40H A1CT/50	400	3	-	1.1	3.2	2900	Dir	G 1½"-DN32 PN6	6 mm
③ AP BluePRO 200/2/G40H A1CT/50	400	3	-	1.5	4.3	2900	Dir	G 1½"-DN32 PN6	6 mm

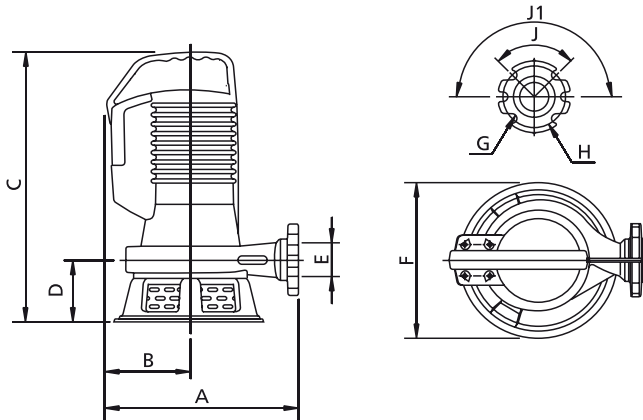
AP BluePRO

Versions available

(Key to versions on page 16)

	Electrical variants										Cooling				Mechanical seals				
	N A E	T C	T C D	T C D T	T C D G T	T C G	T C S T	T C S G T	T S	T R	T R G	N	CC CCE	FT	C G F T	2SIC	SICM	SICAL	2SICAL
AP BluePRO 100/2/G40H A1CM/50		●				●					●				●				
AP BluePRO 100/2/G40H A1CT/50									●	●	●				●				
AP BluePRO 150/2/G40H A1CM/50		●				●					●				●				
AP BluePRO 150/2/G40H A1CT/50									●	●	●				●				
AP BluePRO 200/2/G40H A1CM/50		●				●					●				●				
AP BluePRO 200/2/G40H A1CT/50									●	●	●				●				

Overall dimensions and weights



	A	B	C	D	E	F	G	H	J	J1	kg
AP BluePRO 100/2/G40H A1CM(T)/50	270	130	365	95	G 1½"	220	14	90	90°	180°	19
AP BluePRO 150/2/G40H A1CM(T)/50	270	130	365	95	G 1½"	220	14	90	90°	180°	24
AP BluePRO 200/2/G40H A1CM(T)/50	270	130	365	95	G 1½"	220	14	90	90°	180°	26

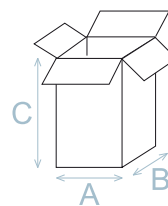
Dimensions in mm

All weights and dimensions are indicative only

Packaging dimension

	A	B	C
AP BluePRO 100/2/G40H A1CM(T)/50	300	250	400
AP BluePRO 150/2/G40H A1CM(T)/50	300	250	440
AP BluePRO 200/2/G40H A1CM(T)/50	300	250	440

Dimension in mm



All weights and dimensions are indicative only

No. pieces per pallet

For AP BluePRO models each pallet (EUR 1000X1200 mm) is able to take 32 pieces.

Installations available

