

Relax - you've bought
a Balboa...



The Balboa Bath Pump

Powerful. Compact. Proven Reliability.

- AU and NZ Certification
- Self-draining Volute
- Ultra Quiet Operation And Compact Design
- 2.7, 4.1, 4.3 Amperage Export International
- European Plug, Australian Plug, or Bare Leads

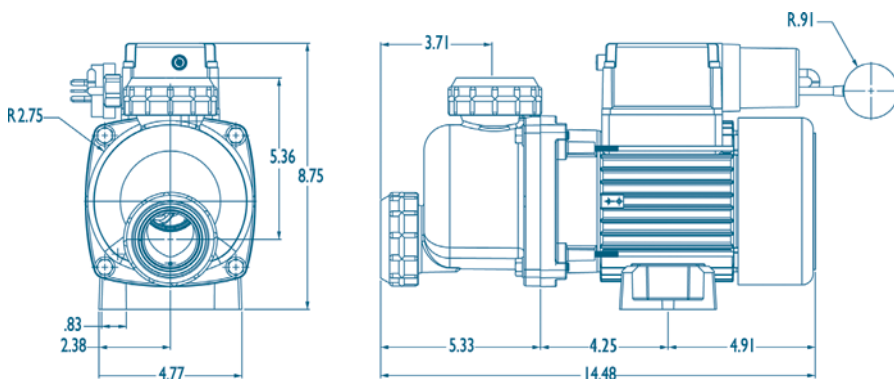


BALBOA
water group

BalboaBathPump

Onga Spa and Bath products have been acquired by BWG (Balboa Water Group) in December of 2008. Onga is one of the best known brands in its field, with a strong international reputation for reliability, value, technological innovation and service in over 80 countries. BWG, the leading manufacturer of spa and bath products in the world, is now the proud manufacturer of these products.

These Balboa pumps are the quietest in the industry. They offer maximum energy efficiency for lower operating costs, as well as no water retention for perfect hygiene, water resistant enclosures, and multiple levels of safety for your peace of mind.



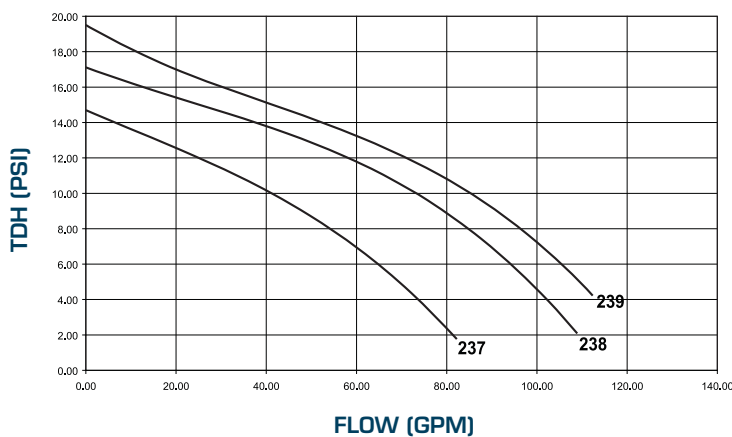
FEATURES

- 230 Volts
- Highly Efficient Motor
- Self-draining Volute
- TEFC IPX5 Design
- AU / NZ Certification
- Quiet Operation

OPTIONS

- 50Hz or 60Hz
- European plug, Australian plug or Bare leads

50Hz PERFORMANCE CURVE Export International Model



Plumbing configuration affects pump performance. Engineering consultation is available to help you find the best pump for all your bath needs.



BathPumps

Distributor Catalogue

- Energy efficient
- Quiet pump operations
- Built for durability, strong and reliable massage
- Industry leading massage performance to leave you rejuvenated and revitalised.



BALBOA
water group

The revitalising touch of warm swirling water enriched with millions of bubbles on your body is the ultimate in therapeutic pleasure.



In perfect harmony with your spa bath the Onga hydromassage pumps deliver a strong, reliable massage with added features:



Ultimate water massage

will leave you rejuvenated and revitalised with industry leading water pressure delivered to the spa bath jets.



Energy efficient

with more water for less consumed power*.



Quiet pump operation

allows you to relax and be consumed in the soothing bubbling sound of the spa.



Hygienic

with self draining and full-flo pump design.



Versatile

Suitable for indoor or outdoor mounting without the need of a protective cover.

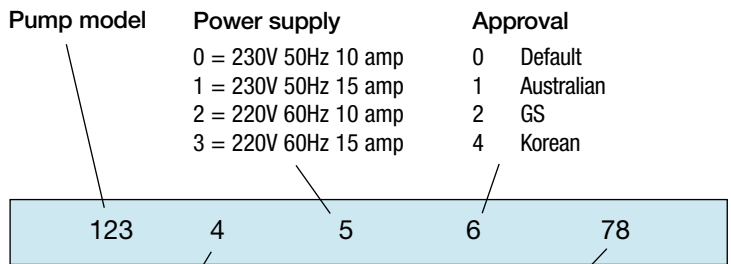
With the reliability, quality and Nationwide service support of the leading Onga brand.

*pumps without heating element



Part number nomenclature

Onga Hydromassage pumps have an 8 digit part number



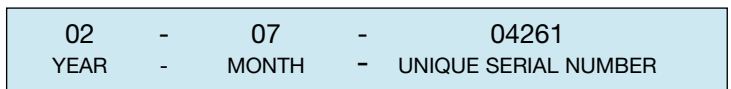
Model variant

- 237 (0.75 hp) 1 = Hot pump air switch
- 238 (1 hp) 2 = Hot pump Bathmaster
- 239 (1.25 hp) 3 = Hot pump Bathtronic (ceased June 05)
- 240 (1.5 hp) 8 = Standard pump air switch

Variations

when standard product require customised versions, the last two digits will be incremented and recorded. 00 = default value

Date and serial number nomenclature

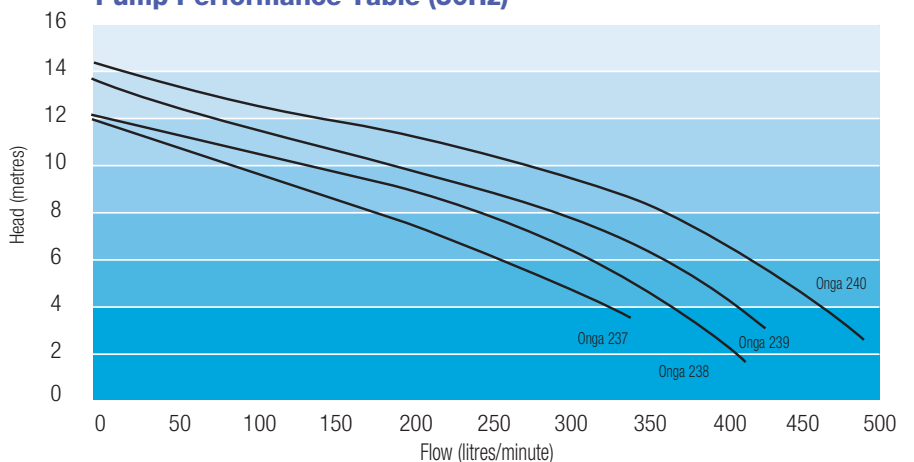


- 02 = 2002
- 03 = 2003
- 04 = 2004
- 05 = 2005

- 01 = Jan
- 02 = Feb

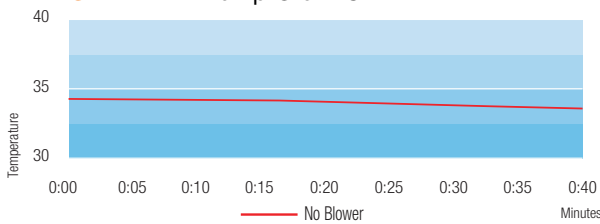
Numerical sequence, unique to each product

Pump Performance Table (50Hz)

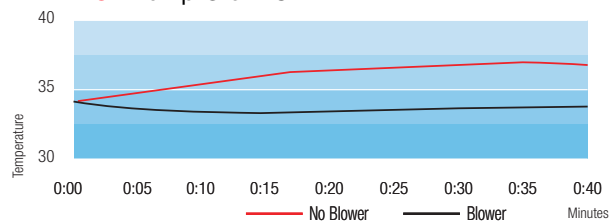


Comfort Levels

STANDARD Pump @ 34° C



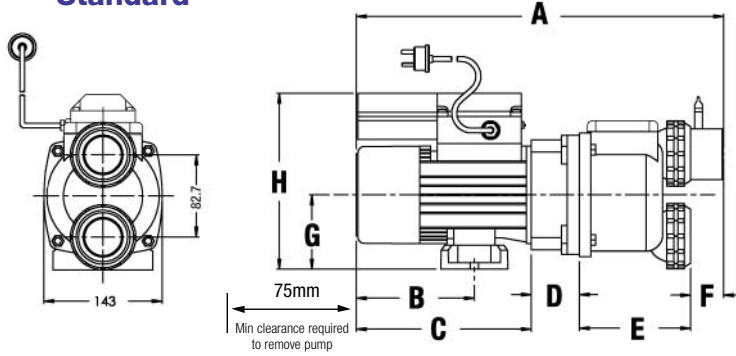
HOT Pump @ 34° C



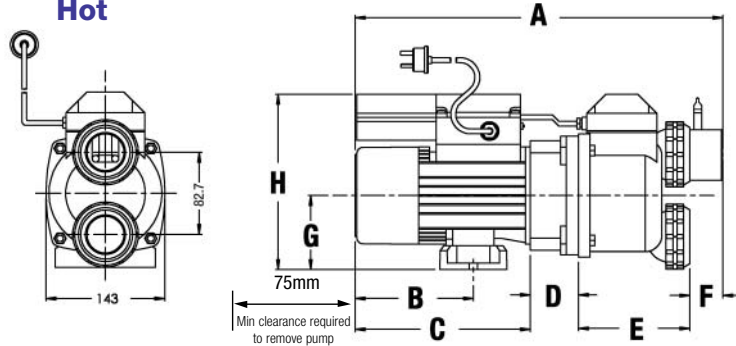
Disclaimers Tested for a 200 litre single person spa bath tested under laboratory conditions based on model 238. The information and specifications subject to change without notice.

	Model				Benefits
	Standard	Hot	Bathtronic	Bathmaster	
Approved					Approved to the comprehensive Australian/New Zealand standards.
Massage					Industry leading massage performance to leave you rejuvenated and revitalised.
Silence					Relax and be consumed in the soothing, bubbling sound of your spa.
Hygienic					Self draining and non-clogging pump design allows water flow to the jets without by-pass that may clog with hair, soap scum or exfoliated skin.
Jets					Independent pump control for jet pressure.
Climate					Install indoors or outdoors without a cover.
Operation					Reliable operation from the continuous duty motor.
Installer Friendly					The compact design and self aligning barrel unions assist installation.
Levels of Safety					Multiple safety levels for peace of mind. Includes AS/NZS approvals.
Auto Heat					Guaranteed controlled heat of the dedicated heating element to maximise your bath water temperature.
Comfort Heat					Comfort Heat at your fingertips allows you to control the dedicated heating element.
Dry Fire					In-built protection against Dry Fire. A water pressure sensor controls the timing of the heat boost within safe conditions.
Over Temp					Bathe safely knowing the Onga pump will NOT contribute heat beyond prescribed limits.
Voltage					Intelligent electronics protect your pump when the voltage supply is outside normal limits.
Motor					Fitted with independent motor overload to minimise electrical motor damage.
Run Dry					Dry run safety stops the pump if there is NO water - preserving your pump life.
Blocked Suction					Protecting you and your investment, the intelligent Bathmaster senses NO WATER FLOW and quickly turns the pump off.
Air System					BathmasterPlus can activate WhispairPlus air blower with its intergrated switch system

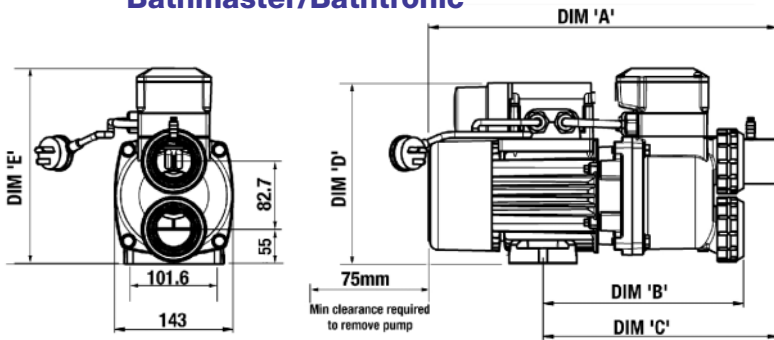
Standard



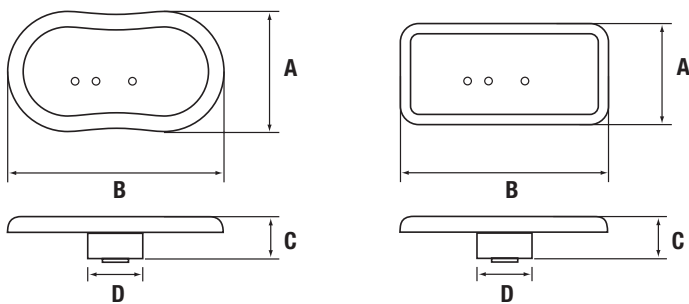
Hot



Bathmaster/Bathtronic



Touch Pads



Dimension Table
Standard/Hot Pumps

Pump Model	A (mm)	B (mm)	C (mm)	D (mm)	E (mm)	F (mm)	G (mm)	H (mm)
237	392	143	217	59	135	40	90	213
238	410	143	217	59	135	40	90	213
239	410	143	217	59	135	40	90	213
240	420	143	226	59	135	40	90	213

Note: Unless otherwise specified, all dimensions in mm.
Fixing slots accept 8mm fasteners

Dimension Table

Bathmaster/Bathtronic Pumps

Pump Model	A (mm)	B (mm)	C (mm)	D (mm)	E (mm)
237	392	243	285	221	245
238	410	243	285	221	245
239	410	243	285	221	245
240	424	243	285	221	245

Note: Unless otherwise specified, all dimensions in mm.
Fixing slots accept 8mm fasteners

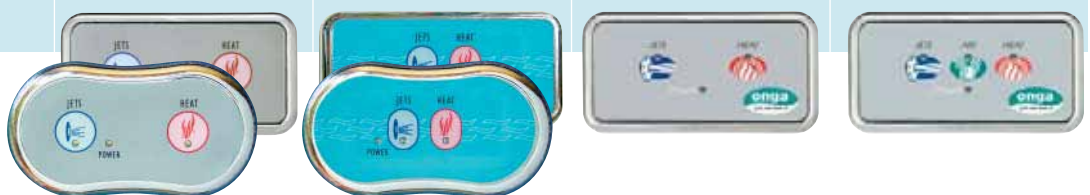
Dimension Table

Touch Pads

Type	A (mm)	B (mm)	C (mm)	D (mm)
Kidney Shape	56	101	20	25
Rectangle	50	97	20	25

Note: Unless otherwise specified, all dimensions in mm.

Identification Point	Bathtronic	Bathmaster	Bathmaster V2	BathmasterPlus
Connector	4 pin connector	6 pin connector	6 pin connector	6 pin connector
Distance between buttons	45mm	17mm	36mm	18mm



Touch Pad notes

Escutcheon; rectangular shape available for order. Minimum quantities apply. Consult your Onga sales manager.
Decal; customised Decals available for order. Minimum quantities apply. Consult your Onga sales manager.

Onga spa bath pumps are suitable for clean, non-corrosive bath water (where water is emptied after each bath). For other applications consult your Onga sales manager.

Construction

Component	Material
Pump Casing:	20%Glass Filled Noryl
Impeller:	20%Glass Filled ABS
Baffle:	20%Glass Filled ABS
End Shield:	Die Cast Aluminium
Shaft Sleeve:	Nylon
Motor Shaft:	Mild Steel
Motor Shell:	Die Cast Aluminium
O-ring's:	Nitrile
Barrel Union:	ABS
Heater Element:	Incalloy
Sound power level	from 65 dBa @ 1 metre

Operating Conditions

	Standard	Hot	Bathtronic	Bathmaster
Dry Run Protection:	30 seconds delay*			•
Blocked Suction Protection:	3 seconds delay*			•
Voltage Protection:	less than 190V, greater than 260V [†]		•	•
Ambient Temperature:	55°C Maximum	•	•	•
Fluid:	Water	•	•	•
Water Temperature:				
Primary Heater Cut-Out	40°C	•	•	•
Secondary Safety Cut-Out	45°C**	•	•	•
Maximum Temperature:	70°C***	•	•	•
Maximum Working Pressure:	300kPa	•	•	•

*Dry Run/Blocked suction Protection feature isolates pump for a period of 10 seconds.
 **In line with Health Authority recommendations heater will not operate over 45°C.
 ***Capable of pumping 70°C, not recommended for spa bath applications.
[†] Voltage protection feature isolates pump when voltage is outside of set parameters.

Technical Data

Pump model	Standard pumps				Hot pumps				
	237	238	239	240	237	238	239X0	239X1	240X1
Power Supply lead (Amps)	10	10	10	10	10	10	10	15	15
Agency listings*	AS/NZ, CE, GS*, CCC, KETI*								
Electrical Standards	AS/NZS 3136								
IP rating to AS60529	IP X5				IP X5				
Approval #	V42				V42				
emc approval	yes				yes				
emc approval #	N1814				N1814				
Installation Zone	Zone 1 in accordance with AS/NZS 3000								
Ventilation requirements	50 sq.cm in accordance with AS/NZS 2023								
Power Supply (Volts)	220 - 240								
Frequency (Hertz)	50								
Motor type	single phase, thermally protected, TEFC, continuously rated, Class B temp rise, Class B insulation								
Nominal Horsepower	3/4	1	1 1/4	1 1/2	3/4	1	1 1/4	1 1/4	1 1/2
Motor input power (P ₁)	700W or 1HP	950W or 1.2HP	980W or 1.3HP	1350W or 2HP	700W or 1HP	950W or 1.2HP	980W or 1.3HP	980W or 1.3HP	1350W or 2HP
Motor output power (P ₂)	560W or 3/4HP	665W or 0.9HP	710W or 1HP	1040W or 1.4HP	560W or 3/4HP	665W or 0.9HP	710W or 1HP	710W or 1HP	1040W or 1.4HP
Heater Module	-	-	-	-	1.4 kW	1.4 kW	1.3 kW	2.2 kW	1.6 kW
Starting Current (Amps)	10	18	18	22	10	18	18	18	22
Full Load Current (Amps)	2.7	4.1	4.3	5.9	8.3	9.7	9.8	13.5	12.5
Pump weight (kg)	5.9	8.8	10.4	10.4	6.7	9.6	9.6	9.6	11.2
Packed weight (kg)	7.5	10.3	12	12	8.2	11.2	11.2	11.2	12.7
Carton Dimension (L x W x H)	427 x 144 x 260			523 x 218 x 260	427 x 144 x 260				523 x 218 x 260
Pipe Inlet - Horizontal	5° swivel union to suit: 40 mm PVC pipe to AS/NZS 1477								
Pipe Outlet - Horizontal	5° swivel union to suit: 40 mm PVC pipe to AS/NZS 1477								
Air tube (air switch version)	6 metres x 3 mm internal								
Data cable (Bathmaster versions)	-	-	-	-	-6 metres x 6 pin connector				
Data cable (Bathtronic versions)	-	-	-	-	-6 metres x 4 pin connector				

*applicable to certain models, contact Onga for assistance. Grey column = ceased production.

Your Single Source Solution

p 714.384.0384 | f 174.384.0385 | email: info@balboawater.com

We reserve the right to change technical data without further notice. No copies authorised. All rights reserved. ©2013 Balboa Water Group.