

# JUNG PUMPEN U6K SUBMERSIBLE DRAINAGE PUMPS

## APPLICATION

The U6K range of pumps is suitable for stationary and portable use.

It can be used as a drainage pump for mildly contaminated waste and ground water, in sumps with rain water, drainage or seepage water, silage liquor and also liquid manure. The high quality mechanical seal also makes the pump suitable for extracting abrasive media.

In stationary use the U6K ES/DS removes the waste water from domestic appliances such as dishwashers and washing machines (also high temperature). The guide rail system GR 32 offers all the advantages of fast and easy maintenance. Our ready-to-install collecting tanks extend the options for installation and use.

For supporting sewage water with heavy pollution we recommend our US series. Especially for the transportable use, in building site areas for example, our building pumps UB should be used.

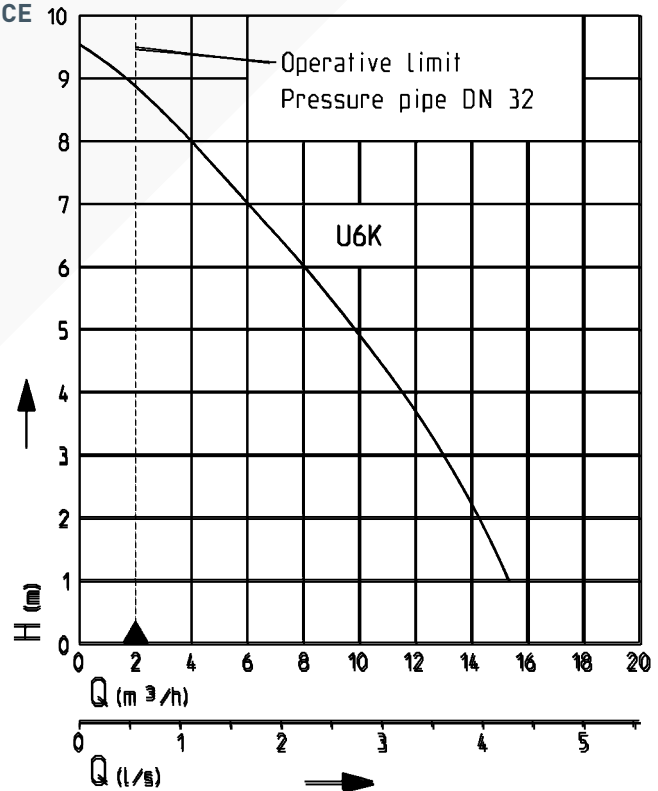
If centrifugal submersible pumps are used outdoors, only a pump with 10 m cable without extension cable may be used in accordance with VDE Regulation 0100.

- Continuous operation
- Flushing device
- Replaceable moisture sealed cable inlet
- Low level pumping by removing the strainer base
- SiC mechanical seal independent of rotation direction
- Safe to run dry
- 10/20 mm free passage with EIP technology



U 6 K with built-in level control

## PERFORMANCE



42527-00

We reserve the right to change specifications without notice

Pump performance is subject to ISO 9906 tolerances

The minimum flow velocity in the pressure piping must be 0.7 m/s according to EN 12056.

This data is represented in the performance curve as a limit of application.

# JUNG PUMPEN U6K

## SUBMERSIBLE DRAINAGE PUMPS

### SUBMERSIBLE DRAINAGE PUMPS

Type	Maximum Height x Width	Discharge branch	Free passage	Cable quality H07RN-F-	Cable length	Weight approx.	Code No.
<b>Pumps without level control</b>							
U6K E	335 x 175 mm	1¼"	20 mm	3G1,0	10 m	6,0 kg	<b>JP00226</b>
U6K D	335 x 175 mm	1¼"	20 mm	4G1,0	10 m	6,5 kg	<b>JP00228</b>
<b>Pumps with built-in level control</b> (acc. to VDE, only to be used outdoors with 10 m cable)							
U6K ES	335 x 210 mm	1¼"	20 mm	3G1,0	3 m	5,5 kg	<b>JP00227</b>
U6K DS	335 x 210 mm	1¼"	20 mm	4G1,0	3 m	5,9 kg	<b>JP00229</b>
U6K ES	335 x 210 mm	1¼"	20 mm	3G1,0	10 m	6,2 kg	<b>JP09260</b>
U6K DS	335 x 210 mm	1¼"	20 mm	4G1,0	10 m	6,8 kg	<b>JP09261</b>

### PERFORMANCE

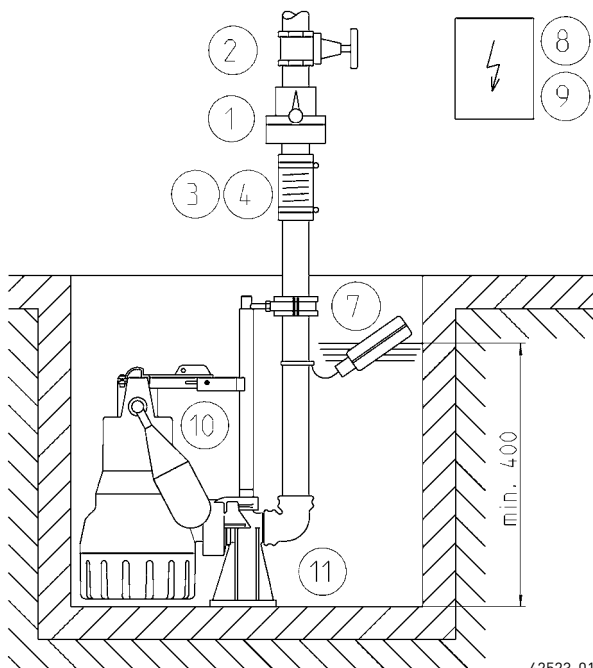
Type	Delivery head H [m]	1	2	3	4	5	6	7	8	9
U6K E/ES/D/DS	Flow rate Q [m³/h]	15.5	14.5	13.0	11.5	9.5	8.0	6.0	4.0	1.5

### ELECTRICAL DATA

Type	Type of current	Voltage Volt	Motor rating kW		RPM min <sup>-1</sup>	Current Ampere	Motor protection	Plug
			P <sub>1</sub>	P <sub>2</sub>				
U6K E/ES	W-Strom	1/N/PE-230	0.75	0.49	2645	3.3	integriert	Safety-
U6K D/DS	D-Strom	3/PE-400	0.75	0.55	2678	1.3		CEE-

#### Example of single pump installation with GR

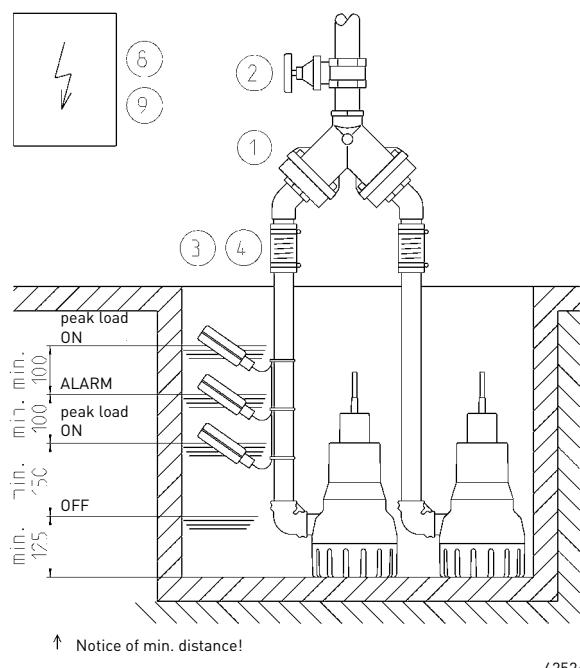
Single unit with built-in level control  
 Sump area **with GR 32** min. 40 x 50 cm  
 Sump area **without GR** min. 40 x 40 cm (without illustr.)



In case of installation beneath the backpressure level the pressure tube must be taken in a loop over the local backup level acc. to EN 12056. Besides, it must be secured with an EN 12050-4-proofed swing-type check valve. Besides, it must be secured with an EN 12050-4-proofed swing-type check valve. Additionally we recommend an alarm system.

#### Example of duplex pump installation

Duplex unit with control unit  
 Sump area **with GR** min. 50 x 50 cm (without illustration)  
 Sump area **without GR** min. 50 x 50 cm  
 Suspend control unit in a dry room.

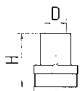
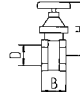




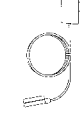
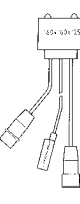







In accordance with DIN EN 12056-4 section 5.1, it has a built-in automatic spare pump or a double attachment included, which ensures that sewage drainage is not interrupted.

# JUNG PUMPEN U6K

## SUBMERSIBLE DRAINAGE PUMPS

### ACCESSORIES

		Code No.	U6K E	U6K D	U6K ES	U6K DS
	<b>1 Swing-type check valve 1¼" (DN 32), PN 4 DIN EN 12050-4</b> H W D 90 90 1¼"	<b>JP09739</b>	•	•	•	•
	<b>Duplex swing-type check valve 1½" (DN 40), PN 4</b> for duplex pump station, DIN EN 12050-4 H W D 200 280 1½"	<b>JP09155</b>	•	•		
	<b>2 Stop valve</b> 1¼" (DN 32), PN 16 $\frac{H}{110} \frac{W}{\text{max. } 60} \frac{D}{1\frac{1}{4}"}$	<b>JP44785</b>	•	•	•	•
	1½" (DN 40), PN 16 $\frac{H}{125} \frac{W}{\text{max. } 60} \frac{D}{1\frac{1}{2}"}$	<b>JP44786</b>	•	•		
	<b>3 Elastic connection 1¼" (DN 32), PN 3</b> $\frac{H}{100} \frac{D}{42}$	<b>JP44773</b>	•	•	•	•
	<b>4 Hose band clamp 1¼"</b>	<b>JP44765</b>	•	•	•	•
	<b>5 Hose coupling 1¼" (DN 32) brass, for portable use</b>	<b>JP00327</b>	•	•	•	•
	<b>Solid fire hose coupling 1 ¼" male thread</b>	<b>JP44780</b>	•	•	•	•
	Coupling wrench	<b>JP25708</b>	•	•	•	•
	Hose connection 1 ¼" - 38/32/25	<b>JP44209</b>	•	•	•	•
	<b>6 Hose set, 15 m PVC hose c/w elbow</b>	<b>JP43550</b>	•	•	•	•
	<b>7 Alarm unit AG3</b> with submersible ball contact switch, separate, mains-dependent, with potential-free contact and 3 m cable	<b>JP44891</b>			•	•
	<b>Alarm unit AG10</b> with sub. ball contact switch ,ditto, 9.5 m cable	<b>JP44892</b>			•	•
	<b>Alarm unit washing machine stop AW3</b> with submersible ball contact switch with 3 m cable, separate, mains-dependent	<b>JP44895</b>	•	•	•	•
	<b>8 Separate level controls</b> for single unit (see level controls for description)					
	NE 1 (1-phase) with sub. ball contact switch 3.0 m	<b>JP16710</b>	•			
	NE 2 (1-phase) with sub. ball contact switch 9.5 m	<b>JP16711</b>	•			
	ND 1 (3-phase) with sub. ball contact switch 3.0 m	<b>JP16712</b>		•		
	ND 3 (3-phase) with sub. ball contact switch 9.5 m	<b>JP16713</b>		•		
	NE 1A (1-phase) with sub. ball contact switch 3.0 m and alarm	<b>JP16714</b>	•			
	NE 2A (1-phase) with sub. ball contact switch 9.5 m and alarm	<b>JP16715</b>	•			
	ND 1A (3-phase) with sub. ball contact switch 3.0 m and alarm	<b>JP16716</b>		•		
	ND 3A (3-phase) with sub. ball contact switch 9.5 m and alarm	<b>JP16717</b>		•		
	Counterweight (1 piece)	<b>JP44803</b>	•	•		
	Controls for duplex unit (see section on Level controls for description)					
	BD 00E (1-phase)	<b>JP45735</b>	•			
	BD 00 (3-phase)	<b>JP45993</b>		•		
Subm. switch pack B with 3 subm. ball contact switches with 9.5 m cable and fixing device	<b>JP16725</b>	•	•			
Subm. switch pack BmG with 3 subm. ball contact switches with 9.5 m cable and counterweight	<b>JP16726</b>	•	•			
	<b>9 Rechargeable battery</b> for off the line operation of the alarm	<b>JP44850</b>	•	•	•	•
	<b>10 Special float assembly</b> for low switching points (Switching height without GR ON 130 mm, OFF 80 mm)	<b>JP44207</b>			•	•
	<b>Special float assembly</b> for narrow chambers (min. 30 x 30 cm)	<b>JP40856</b>			•	•
	<b>Special float assembly</b> for continuous pump operation	<b>JP42175</b>			•	•
	<b>11 Guide rail system GR 32</b>	<b>JP44000</b>	•	•	•	•
	<b>Support for guide rail extension</b> ex 2 m sump depth, per m 1 peace	<b>JP28314</b>	•	•	•	•

# JUNG PUMPEN U6K

## SUBMERSIBLE DRAINAGE PUMPS

### TECHNICAL DATA

#### Pump

Vertical, single-stage, submersible, with foot strainer with 10 mm free passage – detachable for activating low level pumping. With the pump base installed, free passage is 20 mm. Volute casing with 1 1/4" male radial pressure branch, EIP-technology hydraulics with open 6-blade impeller.

#### Bearings

Common shaft for pump and motor, mounted in ball bearings and permanently grease lubricated.

#### Seal

Silicon carbide mechanical seal, intermediate oil chamber, shaft seal ring towards the motor section, safe to run dry.

#### Motor

Submersible motor, type of enclosure IP 68, insulation class B, motor thermostat for emergency switch-off on overheating with automatic switch-on after sufficient cooling, switched on via plug or automatic switching, moisture sealed cable inlet for protecting the pump in the event of damage to the cable, continuous operation when not submerged on account of its motor jacket cooling.

#### Material

Motor housing, shaft and screws in stainless steel, volute casing, impeller and control head in plastic (GRP), rubber insulated flexible cable.

#### Installation

Install pump vertically (hose connection possible); if installed permanently, provide detachable connection, e.g. the uncomplicated and easy to maintain guide rail system GR 32.

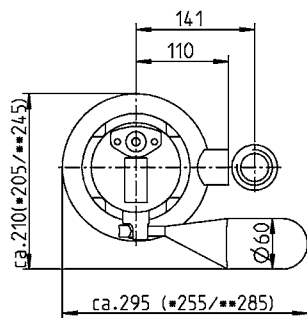
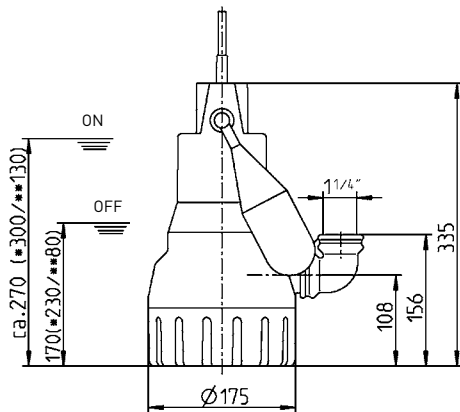
#### Scope of supply

Pump ready for connection acc. to EN 12050 with 90°, 1 1/4" female connection elbow, cable and plug, S model with automatic level float switch.

The pump is delivered fitted with a strainer base which can be swapped for any of the accompanying pedestals in cases where a 20 mm clear passage is required.



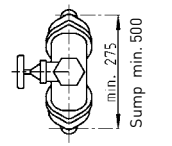
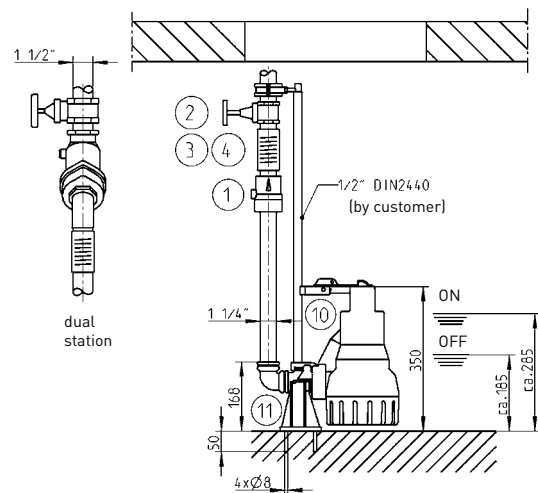
Dimensions U6K (mm)



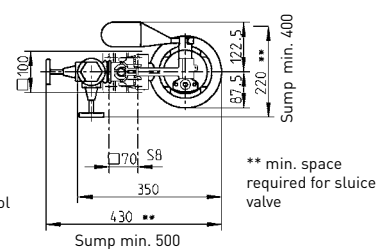
\* with low level float Code. No. JP40856  
\*\* with low level float Code. No. JP44207

4 42525-02

Dimensions GR 32 (mm)



Dual station:  
built-in level control



\*\* min. space  
required for sluice  
valve

4 42526-02