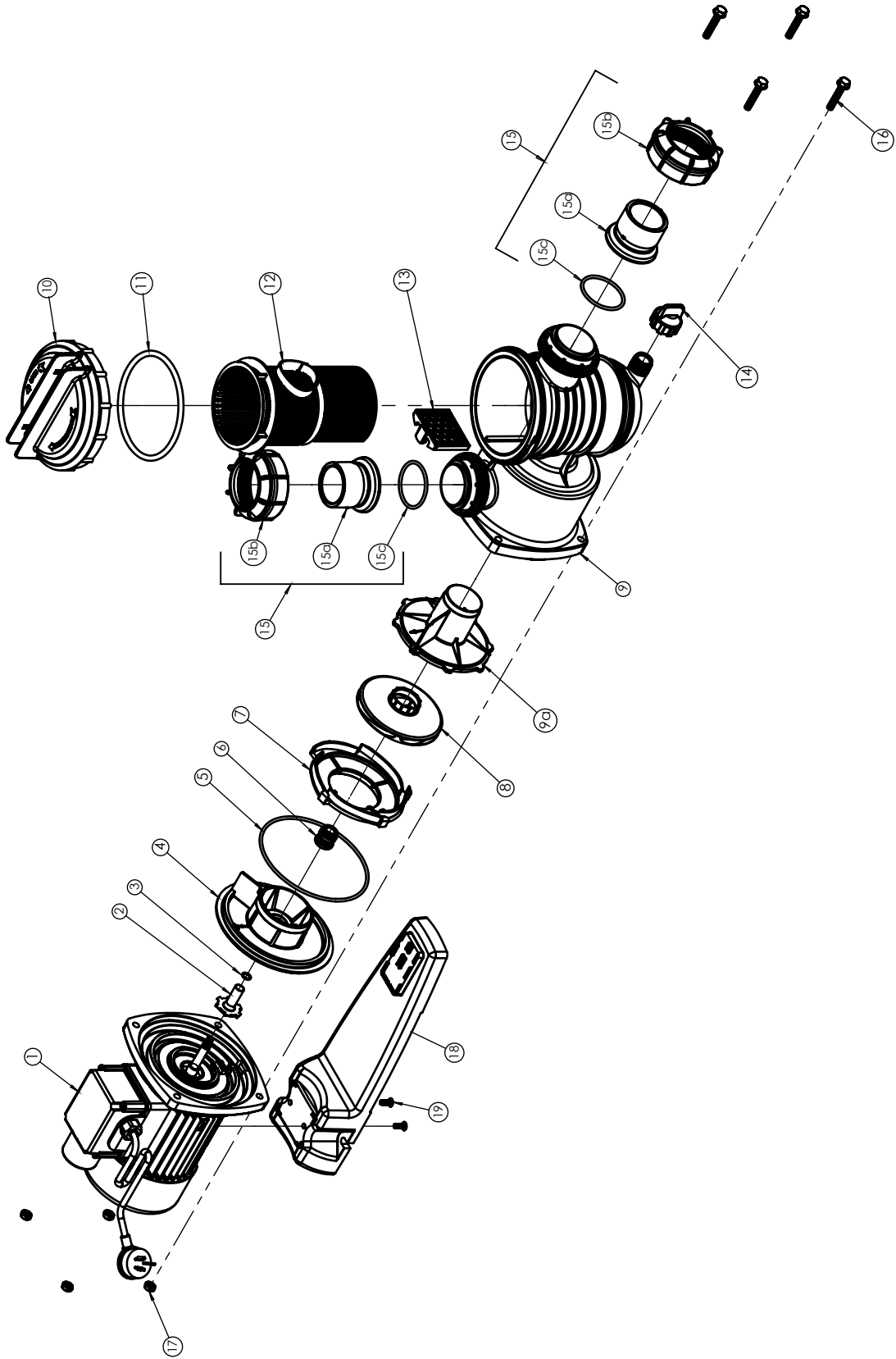


LEISURETIME® HIGH PERFORMANCE PUMP REPLACEMENT PARTS



LEISURETIME® HIGH PERFORMANCE PUMP (CONT'D)

REPLACEMENT PARTS

Item	Description	Part No.	Part No.	Part No.	Part No.
		LTP400	LTP550	LTP750	LTP1100
1	MOTOR	800738	800442	800442	801211
2	SHAFT SLEEVE	604000	604000	604000	505070
3	O-RING SHAFT SLEEVE	702196	702196	702196	702218
	O-RING SHAFT SLEEVE (PACK 10)	702196K	702196K	702196K	702218K
	SHAFT SLEEVE & O-RING KIT (INCLUDES ITEM 2 & 3)	800894K	800894K	800894K	-
4	BAFFLE	302060K	302060K	302060K	305300
5	ORING-CASING	702206K	702206K	702206K	702206K
6	MECHANICAL SEAL	702789K	702789K	702789K	700270K
	MECHANICAL SEAL (PACK 25)	800901	800901	800901	800900
	SEAL KIT (INCLUDES ITEM 2,3,5 & 6)	800582K	800582K	800582K	800583
7	DIFFUSER	302200K	302200K	302190K	303460K
8	IMPELLER	504593K	510803K	504823K	506840K
9	CASING ASSEMBLY	305970	305970	305970	305970
9A	SEPERATOR PLATE	408610	408610	408610	412140
10	LID (INCLUDES O-RING)	800897K	800897K	800897K	800897K
11	ORING-LID (4 Pack)	702208K	702208K	702208K	702208K
12	BASKET	302310	302310	302310	302310
13	GUARD FINGER	508210	508210	508210	508210
14	DRAIN PLUG	504605	504605	504605	504605
15	BARREL UNION ASSEMBLY (INCLUDES ITEM 15a,15b, & 15c)x2	800714	800714	800714	800714
15a	TAIL-PLAIN SWIVEL B/UNION WHITE	505435	505435	505435	505435
15b	NUT SWIVEL BARREL UNION WHITE	505425	505425	505425	505425
15c	ORING-SWIVEL BARREL UNION	702193	702193	702193	702193
16	SCREW 5/16inW x 1.1/2in HWF Hd (SET OF 10)	800399	800399	800399	800399
17	NUT 5/16inW HEX Steel (SET OF 12)	800163K	800163K	800163K	800163K
18	BASE	304100	304100	304100	304100
19	SCREW M6 x 16mm C/SNK HD Phlps	703875	703875	703875	703875
	BASE & SCREW KIT (INCLUDES ITEMS 19&20)	800532	800532	800532	800532