

SEATING

S050

The S050 is a durable seat available with Timber or Aluminium slats. Designed to suit external applications such as Parks, Education facilities and other public areas.

Ordering:

Manufacturing of this item will commence upon placement of order. Normal manufacturing lead time for this item is approximately 4-6 weeks depending upon factory work load. Manufacturing lead and delivery time will be confirmed upon receipt of order.

Dimensions:

- 1800 L x 335 W x 450mm H

Specifications:

Standard Frame:

- Galvanised steel frame with a black powdercoat finish

Standard Slats:

- 63 x 30 hardwood timber slats with a Jarrah stain
- 63 x 30 Anodised aluminium slats, natural silver finish

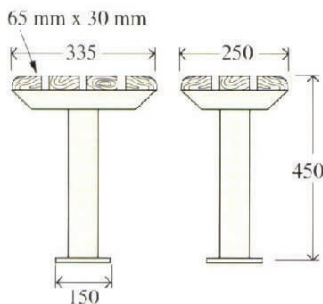
Standard Mounting:

- Surface mounted

Options:

- Below ground mount
- Wall mount
- Victorian ash timber slats
- Timber style aluminium slats

CODE: 17 S050



S050 with backrest



Wall mounted S050

