



**MERITOR**®

an *ArvinMeritor* brand

Revised 9-04

# Lined Brake Shoes Lined Brake Shoe Kits

New & Remanufactured

Catalog PB-8857F



Strength • Power • Speed • Agility

MERITOR PARTS. RIGHT FROM THE START.

# TABLE OF CONTENTS

<b>Application Guide</b> .....	7
<b>Brake Type Designation Reference</b> .....	4
<b>FMSI/Shoe Reference Chart</b> .....	9, 10
<b>Friction Comparison Chart</b> .....	8
<b>Meritor Friction Materials</b> .....	5, 6
<b>Meritor Lined Brake Shoe &amp; Kit Number System</b> .....	3
<b>New Lined Brake Shoes &amp; Brake Shoe Kits</b>	
12-1/4" x 7-1/2" Meritor Q.....	11
15" x 3-1/2" Meritor T Front.....	11
15" x 4" Eaton ES Front.....	11
15" x 4" Eaton Front.....	12
15" x 4" Meritor Q Front.....	12
15" x 4" Meritor Q Plus Front.....	12
15" x 4" Meritor T Front.....	13
15" x 5" Meritor Lucas Hydraulic.....	13
15" x 5" Meritor Q Plus Front.....	13
15" x 6" Meritor Lucas Hydraulic.....	14
15" x 6" Meritor Q Plus Front.....	14
15" x 7" Meritor Lucas Hydraulic.....	14
15" x 7" Meritor Q Plus Front.....	15
15" x 7" Meritor Stopmaster Wedge.....	15
15" x 8-5/8" Meritor Q Plus Front.....	15
16-1/2" x 5" Meritor Q.....	16
16-1/2" x 5" Meritor Q for 1.68" Offset Spider with Relocated Retainer Spring Hole.....	16
16-1/2" x 5" Meritor Q Plus.....	17
16-1/2" x 5" Meritor Q with Relocated Return Spring Hole.....	16
16-1/2" x 6" Meritor Q.....	17
16-1/2" x 6" Meritor Q Plus.....	18
16-1/2" x 6" Meritor Q with Relocated Return Spring Hole.....	17
16-1/2" x 7" Eaton ES I.....	18
16-1/2" x 7" Eaton ES II.....	18
16-1/2" x 7" Eaton Low Mount.....	19
16-1/2" x 7" Fruehauf XEM3.....	19
16-1/2" x 7" Meritor P.....	20
16-1/2" x 7" Meritor P Cast.....	19
16-1/2" x 7" Meritor Q.....	20, 21
16-1/2" x 7" Meritor Q Heavy Duty.....	20
16-1/2" x 7" Meritor Q Plus.....	21, 22
16-1/2" x 7" Meritor Q Plus Heavy Duty.....	21
16-1/2" x 8" Meritor Q Plus.....	22
16-1/2" x 8-5/8" Meritor Q.....	22
16-1/2" x 8-5/8" Meritor Q Plus.....	23
<b>Remanufactured Brake Shoes &amp; Brake Shoe Kits</b>	
12-1/4" x 7-1/2" Dana Spicer Fast Change II.....	24
12-1/4" x 7-1/2" Dana Spicer U.....	24
12-1/4" x 7-1/2" Dexter PQ.....	24
12-1/4" x 7-1/2" Meritor Q.....	25
12-1/4" x 7-1/2" Standard Forge Closed Roller End.....	25
12-1/4" x 7-1/2" Standard Forge Open Roller End.....	25
15" x 4" Bendix.....	26
15" x 4" Eaton ES Front.....	26
15" x 4" Eaton Front.....	27

## TABLE OF CONTENTS (cont.)

### Remanufactured Brake Shoes & Brake Shoe Kits (cont.)

15" x 4" Meritor Q Front.....	27
15" x 4" Meritor Q Plus Front.....	27
15" x 4" Meritor T Front.....	28
15" x 5" Meritor Q Plus Front.....	28
15" x 6" Meritor Lucas Hydraulic.....	29
15" x 6" Meritor Q Plus Front.....	29
15" x 6" Meritor Stopmaster Wedge.....	29
15" x 7" Meritor Lucas Hydraulic.....	30
15" x 7" Meritor Q Plus Front.....	30
15" x 7" Meritor Stopmaster Wedge.....	30
15" x 8-5/8" Meritor Q Plus Front.....	31
16-1/2" x 5" Eaton ES.....	31
16-1/2" x 5" Eaton Low Mount.....	31
16-1/2" x 5" Meritor Q.....	32
16-1/2" x 5" Meritor Q for 1.68" Offset Spider with Relocated Retainer Spring Hole.....	32
16-1/2" x 5" Meritor Q Plus.....	33
16-1/2" x 5" Meritor Q with Relocated Return Spring Hole.....	32
16-1/2" x 6" Eaton ES.....	33
16-1/2" x 6" Eaton Low Mount.....	33
16-1/2" x 6" Meritor Q.....	34
16-1/2" x 6" Meritor Q Plus.....	34
16-1/2" x 6" Meritor Q with Relocated Return Spring Hole.....	34
16-1/2" x 7" Bendix.....	35
16-1/2" x 7" Eaton ES I.....	35
16-1/2" x 7" Eaton ES II.....	35
16-1/2" x 7" Eaton High Mount.....	36
16-1/2" x 7" Eaton Low Mount.....	36
16-1/2" x 7" Fruehauf XEM3 with Standard Return Spring.....	36
16-1/2" x 7" Fruehauf XEM3 with Heavy Duty Return Spring.....	37
16-1/2" x 7" Meritor P.....	37
16-1/2" x 7" Meritor P Cast.....	37
16-1/2" x 7" Meritor Q.....	38
16-1/2" x 7" Meritor Q Heavy Duty.....	38
16-1/2" x 7" Meritor Q Plus.....	39
16-1/2" x 7" Meritor Q Plus Heavy Duty.....	39
16-1/2" x 7" Spicer XL.....	39
16-1/2" x 8" Meritor Q Plus.....	40
16-1/2" x 8-5/8" Eaton.....	40
16-1/2" x 8-5/8" Eaton ES.....	40
16-1/2" x 8-5/8" Fruehauf XEM3 Offset.....	41
16-1/2" x 8-5/8" Meritor Q.....	41
16-1/2" x 8-5/8" Meritor Q Plus.....	41
16-1/2" x 10" Meritor Q.....	42
18" x 7" Eaton Cast.....	42
18" x 7" Meritor P Cast.....	42
<b>Numerical Parts Listing.....</b>	<b>43</b>



## BRAKE TYPE DESIGNATION REFERENCE

Brake type designation letters appear at the end of new or reman shoe and kit part numbers to indicate the make and type of brake.

<b>Brake Type Designation</b>	<b>Brake Manufacturer</b>	<b>Brake Type</b>
B	Bendix	Bendix (core)
B	Bendix	Cam Brake (reman shoes)
BW	Bendix	Wedge Brake
D	Dexter	12-1/4" PQ Brake
D	Dana/Spicer	16-1/2" XL Brake
E	Eaton	Standard Eaton Brake / ES II Reman Kits (where there is no ES I)
E1	Eaton	ES Brake - 1st Version
E2	Eaton	ES Brake - 2nd Version
EC	Eaton	Cast Shoe (reman shoes)
EH	Eaton	High Mount Shoe
ES	Eaton	ES II (where there is no ES I) (reman shoes)
F2	Fruehauf	XEM - 2nd Version
F3	Fruehauf	XEM - 3rd Version
F5	Fruehauf	XEM Retrofit (core)
FC2	Dana/Spicer	Fast Change II Brake
G2	Eaton	ES II (core)
H	Eaton	High Mount (core)
H	Meritor	Q Brake with Heavy Duty Webs (core)
L	Meritor	Lucas Hydraulic (reman shoes)
M	Meritor	Q Brake with Heavy Duty Webs (Mack) (reman kits)
MF	Meritor	Fruehauf XEM Retrofit
P	Meritor	P Brake
PC	Meritor	Cast P Brake
Q	Meritor	Q Brake
QA	Meritor	Q Brake for 1.68" Offset Spider with Relocated Retainer Spring Hole
QM	Meritor	Q Brake with Heavy Duty Webs (Mack)
QP	Meritor	Q Plus Brake
QPM	Meritor	Q Plus Brake with Heavy Duty Webs (Mack)
QR	Meritor	Q Brake with Relocated Return Spring Hole (Mack)
R	Meritor	Stopmaster Wedge Brake (core)
RC	Meritor	18" P Cast Shoe (reman shoes)
RD	Meritor	Stopmaster Wedge Brake (new shoes)
S	Standard Forge	Standard Forge Brake
SM	Meritor	Stopmaster Wedge Brake (reman shoes)
T	Meritor	T Brake
U	Dana/Spicer	U Brake

# MERITOR FRICTION MATERIALS

## MA212 Standard Truck/Tractor/Trailer FF 20,000 lb. GAWR / 165 AL

MA212 is the standard Meritor 20,000 lb. gross axle weight rated (GAWR) brake lining for OEM production trailer axle brakes. This proven material yields exceptional brake power and friction stability without sacrificing lining or drum wear. MA212 is the standard friction on Meritor trailer axles and is the lining of choice of many OEM vehicle manufacturers.

MA212 is recommended for truck, tractor, trailer and school bus applications. It performs well in hauling general cargo, grain and liquids in a variety of applications, including low boys and dump trucks – over general terrain. It can be used for over-the-highway applications or in stop-and-go urban driving.

MA212 is rated for 20,000 lb. GAWR at 165 AL (T30 chamber x 5.5" slack adjuster).

## MA210 Premium Long-Life Truck/Tractor/Trailer FF 20,000 lb. GAWR / 165 AL

MA210 is designed for, and used extensively in, the Meritor MX500 Long-Life Package and other brake applications. It provides superior wear and stopping capability in all linehaul applications. MA210 is a premium, long-life material that utilizes transfer layer technology to offer excellent performance and drum compatibility for life-cycle maintenance cost reduction.

MA210 is ideally suited to truck, tractor, trailer and school bus applications. It performs well in hauling general cargo, grain and liquids in a variety of applications – over general terrain. MA210 is strongly recommended for heavy over-the-highway use.

MA210 is rated for 20,000 lb. GAWR at 165 AL (T30 chamber x 5.5" slack adjuster).

## R301 Standard Truck/Tractor/Trailer FF 23,000 lb. GAWR / 180 AL

R301 is the standard Meritor 23,000 lb. GAWR brake lining for OEM production tractor rear axle brakes. This time-proven high-performance Meritor material is engineered for demanding applications where excellent wear characteristics are needed.

R301 is recommended for truck, tractor, trailer, school bus and heavy hauling applications such as refuse and construction. It can be used on- or off-highway in various terrain conditions.

R301 is rated for 23,000 lb. GAWR at 180 AL (T30 chamber x 6.0" slack adjuster).

## MERITOR FRICTION MATERIALS (continued)

### MA312 Standard Truck/Tractor/Trailer FF 23,000 lb. GAWR / 180 AL

MA312 provides superior stopping power needed in demanding heavy duty linehaul and vocational vehicle operations. MA312 friction material not only meets, but surpasses, FMVSS 121 requirements in combination with either full-cast or lightweight Meritor SteelLite X30™ brake drums.

MA312 is a premium, long-life material delivering exceptional performance in applications up to 23,000 GAWR. It offers service-life improvements of up to 20 percent over comparable products, reducing costs of maintenance, downtime and materials.

MA312 is ideally suited to truck, tractor, trailer and school bus applications. It is recommended for construction, refuse and other heavy hauling applications where sure stopping power is called for. It is designed to perform equally well in both on- and off-highway applications.

MA312 is rated for 23,000 lb. GAWR at 180 AL (T30 chamber x 6" slack adjuster).

### MA310 Premium Truck/Tractor/Trailer FF 23,000 lb. GAWR / 165 AL

MA310 has been developed as the standard Meritor 23,000 lb. GAWR brake lining for vocational vehicle applications. This material provides remarkable wear and exceptional stopping ability for the vocational needs of a fleet. MA310 was designed for demanding applications that require consistent fade resistance and solid recovery performance.

MA310 is recommended for construction, refuse and other heavy hauling applications. It can be used on- or off-highway in various terrain conditions.

MA310 is rated for 23,000 lb. GAWR at 165 AL (T30 chamber x 5.5" slack adjuster).

### R403 Severe-Duty Truck/Tractor/Trailer GG 26,000 lb. GAWR / 180 AL

R403 is the Meritor 26,000 lb. GAWR brake lining for severe-duty applications. It has superior performance and fade resistance and dependable stopping capability in heavy-haul applications.

R403 is recommended for construction, refuse and other severe service applications, on- or off-highway, under various terrain conditions. It has a proven track record of recognized durability.

R403 is rated for 26,000 lb. GAWR at 180 AL (T30 chamber x 6.0" slack adjuster).

## MERITOR PRODUCTION FRICTION MATERIAL

### APPLICATION AND PRODUCT COMPARISON GUIDE

Axle Rating (Lbs.)	Brake Block						Lining
	17,000-20,000	20,000	20,000	23,000	23,000	26,000	12,000 Steer Axle
Meritor Genuine OE Mix		MA212 - Standard	MA210	R301 - Standard MA312 - Option (6" Slack) MA310 - Premium (5.5" Slack)		R403 - Severe Service	MA212 - Front Axle
Coefficient of Friction		FF	FF	FF	FF/FF	GG	FF
Brake Type		CAM	CAM	CAM	CAM/WEDGE	CAM	CAM
Friction Notes	Economy Grade		Long-Life		Comb./Semi Met.		
Vehicle Type	Truck, Tractor and Trailer						Truck & Tractor

## AFTERMARKET FRICTION MATERIALS

This chart does not imply that the competitive material shown is equivalent to Meritor Genuine.

ABEX (FEDERAL MOGUL)	XL 6014 XC 6085		EN 6008 EL 6011 AN 6166	Premier (Ferodo)	EX 685	EM 6069/ EX 685	ED 6028	EN 6008
BENDIX	BXV		BXS		BXP	BXCM	BXHD	
BRAKE PRO/ CANADIAN METALLIC	CM14 CM15	CM16	CM18 CM20		CM22A	CMB42	CM25 CM29	CML48
CARLISLE	NA100	MB19	HD2A MB21	CF2000	MB23	MBC62 E44	MB60	MB21 HD2L
EATON / SPICER		ES310 ES410 ES420	ES440 ES450		ES600 ES670 ES680	ES1100/600	ES1100	
EUCLID	E55	E77	E78		E88	E98		E78
FRAS-LE	AF540	AF550	AF555		AF557	AF560/AF555	AF587 AF560	AF555 AF557
HALDEX	GN/2017	GD/2016	GS/2015 GF/3008	GR/3010	GG/2020 GG/3020 GH/3023	GC Combination	GP/2030 GM/2040	TT TS
MARATHON	MH	UB	FL DL		HS HST	MBC	TS MBS	FL/DL HS
SPICER All American/Quality Assured	Green White	Silver	Blue		Red Yellow	Orange	Bronze	



## APPLICATION GUIDE

MIX	GAWR	POSITION	VOCATION	ROAD
-----	------	----------	----------	------

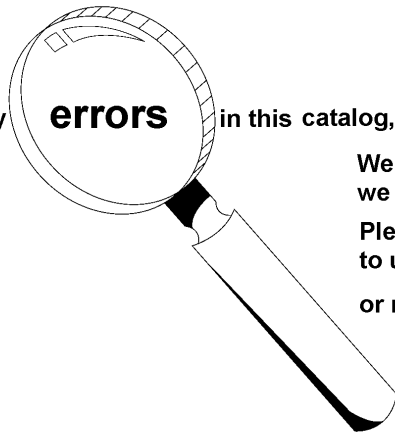
### PREFERRED/PRODUCTION STANDARD -

<b>MA212</b>	20K	Production standard trailer	Truck, tractor, trailer, general cargo, school bus, grain, liquid	General terrain
<b>MA210</b>	20K	Long-Life, Premium - used in LX/MX package	Truck, tractor, trailer, general cargo, school bus, grain, liquid	Heavy highway use, general terrain
<b>MA312</b>	23K (180 AL)	Production option	Truck, tractor, trailer, school bus, refuse, construction, heavy hauling	On/off highway
<b>MA310</b>	23K (165 AL)	Production option	Truck, tractor, trailer - construction, refuse, heavy hauling	Multiple terrain
<b>R301</b>	23K (180 AL)	Production standard tractor	Truck, tractor, trailer, general cargo, school bus, grain, liquid, construction, refuse	General terrain

### SPECIAL APPLICATIONS -

<b>R403</b>	26K	Spec option	Waste hauler/construction, severe service	On/off highway
-------------	-----	-------------	---	----------------

If you detect any **errors** in this catalog, please let us know.



We want the information to be as accurate as possible; we appreciate your help in making it so.

Please e-mail any comments/suggestions/corrections to us at: [catalogfeedback@arvinmeritor.com](mailto:catalogfeedback@arvinmeritor.com)

or mail to: ArvinMeritor  
 attn: Catalog Dept.  
 7975 Dixie Highway  
 Florence, KY 41042

## FMSI/SHOE REFERENCE CHART

FMSI/SHOE TYPE	APPLICATION	NEW SHOE PAGE NO.	REMAN SHOE PAGE NO.
1307T	15" x 3-1/2" Meritor T Front	11	---
1308E	15" x 4" Eaton Front	12	27
1308Q	15" x 4" Meritor Q Front	12	27
1308T	15" x 4" Meritor T Front	13	28
1443E	15" x 4" Eaton ES Front	11	26
4223E	16-1/2" x 5" Eaton Low Mount	---	31
4311E	16-1/2" x 7" Eaton Low Mount	19	36
4311EH	16-1/2" x 7" Eaton High Mount	---	36
4317E	16-1/2" x 6" Eaton Low Mount	---	33
4504	15" x 6" Meritor Lucas Hydraulic	14	29
4505	15" x 7" Meritor Lucas Hydraulic	14	30
4514Q	16-1/2" x 6" Meritor Q	17	34
4514QR	16-1/2" x 6" Meritor Q with Relocated Return Spring Hole	17	34
4515B	16-1/2" x 7" Bendix	---	35
4515F3	16-1/2" x 7" Fruehauf XEM3	19	36, 37
4515P	16-1/2" x 7" Meritor P	20	37
4515PC	16-1/2" x 7" Meritor P Cast	19	37
4515Q	16-1/2" x 7" Meritor Q	20, 21	38
4515QM	16-1/2" x 7" Meritor Q Heavy Duty	20	38
4524Q	16-1/2" x 5" Meritor Q	16	32
4524QA	16-1/2" x 5" Meritor Q for 1.68" Offset Spider with Relocated Retainer Spring Hole	16	32
4524QR	16-1/2" x 5" Meritor Q with Relocated Return Spring Hole	16	32
4527EC	18" x 7" Eaton Cast	---	42
4528	15" x 5" Meritor Lucas Hydraulic	13	---
4551F3L	16-1/2" x 8-5/8" Fruehauf XEM3 LH Offset	---	41
4551F3R	16-1/2" x 8-5/8" Fruehauf XEM3 RH Offset	---	41
4551Q	16-1/2" x 8-5/8" Meritor Q	22	41
4552Q	16-1/2" x 10" Meritor Q	---	42
4591D	12-1/4" x 7-1/2" Dexter PQ	---	24
4591S	12-1/4" x 7-1/2" Standard Forge Closed Roller End	---	25
4602RD	15" x 7" Meritor Stopmaster Wedge	15	30
4605SM	15" x 6" Meritor Stopmaster Wedge	---	29
4625RC	18" x 7" Meritor P Cast	---	42
4670Q	12-1/4" x 7-1/2" Meritor Q	11	25
4674E	16-1/2" x 8-5/8" Eaton	---	40

## FMSI/SHOE REFERENCE CHART

FMSI/SHOE TYPE	APPLICATION	NEW SHOE PAGE NO.	REMAN SHOE PAGE NO.
4692	12-1/4" x 7-1/2" Standard Forge Open Roller End	---	25
4692FC2	12-1/4" x 7-1/2" Dana Spicer Fast Change II	---	24
4692U	12-1/4" x 7-1/2" Dana Spicer U	---	24
4693	15" x 4" Bendix	---	26
4701	16-1/2" x 7" Spicer XL	---	39
4702QP	15" x 4" Meritor Q Plus Front	12	27
4703QP	15" x 5" Meritor Q Plus Front	13	28
4704QP	15" x 6" Meritor Q Plus Front	14	29
4705QP	15" x 7" Meritor Q Plus Front	15	30
4707QP	16-1/2" x 7" Meritor Q Plus	21, 22	39
4707QPM	16-1/2" x 7" Meritor Q Plus Heavy Duty	21	39
4709E1	16-1/2" x 7" Eaton ES I	18	35
4709E2	16-1/2" x 7" Eaton ES II	18	35
4710QP	15" x 8-5/8" Meritor Q Plus Front	15	31
4711QP	16-1/2" x 8-5/8" Meritor Q Plus	23	41
4715QP	16-1/2" x 6" Meritor Q Plus	18	34
4718QP	16-1/2" x 8" Meritor Q Plus	22	40
4719ES	16-1/2" x 5" Eaton ES	---	31
4720QP	16-1/2" x 5" Meritor Q Plus	17	33
4725ES	16-1/2" x 6" Eaton ES	---	33
4726ES	16-1/2" x 8-5/8" Eaton ES	---	40



# MERITOR™

an **ArvinMeritor™** brand

# NEW LINED BRAKE SHOES & BRAKE SHOE KITS

12-1/4" x 7-1/2" Meritor Q

FMSI/SHOE TYPE	MERITOR FRICTION MIX	NEW LINED BRAKE SHOE NUMBER	NEW LINED BRAKE SHOE KIT NUMBER	MINOR HARDWARE KIT NUMBER	NEW SHOE NUMBER	
					MERITOR PRODUCTION	MERITOR AFTERMARKET
4670Q	MA312	SMA312 4670Q		KIT 8004	A-3222-V-2466	
4670Q	R301	SR301 4670Q	KSR301 4670Q	KIT 8004	A-3222-V-2466	

15" x 3-1/2" Meritor T Front

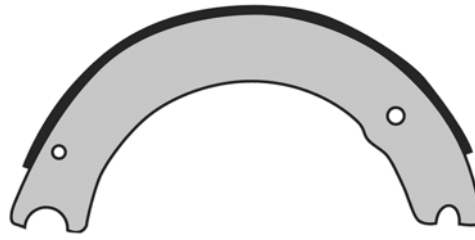
FMSI/SHOE TYPE	MERITOR FRICTION MIX	NEW LINED BRAKE SHOE NUMBER	NEW LINED BRAKE SHOE KIT NUMBER	MINOR HARDWARE KIT NUMBER	NEW SHOE NUMBER	
					MERITOR PRODUCTION	MERITOR AFTERMARKET
1307T	MA212	SMA212 1307T	KSMA212 1307T	KIT 9305	A-3222-K-1103	
1307T	R301	SR301 1307T	KSR301 1307T	KIT 9305	A-3222-K-1103	

15" x 4" Eaton ES Front

FMSI/SHOE TYPE	MERITOR FRICTION MIX	NEW LINED BRAKE SHOE NUMBER	NEW LINED BRAKE SHOE KIT NUMBER	MINOR HARDWARE KIT NUMBER	NEW SHOE NUMBER	
					MERITOR PRODUCTION	MERITOR AFTERMARKET
1443E	MA212	SMA212 1443E	KSMA212 1443E	R507004		R700017
1443E	MA312	SMA312 1443E	KSM312 1443E	R507004		R700017

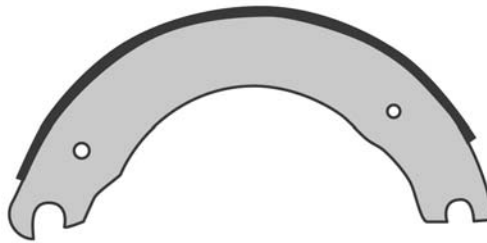
# NEW LINED BRAKE SHOES & BRAKE SHOE KITS

15" x 4" Eaton Front



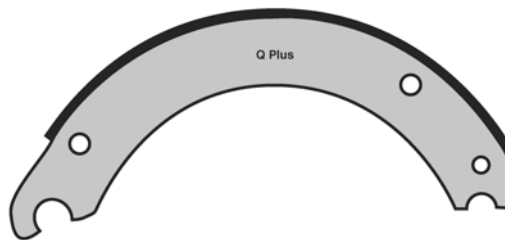
FMSI/SHOE TYPE	MERITOR FRICTION MIX	NEW LINED BRAKE SHOE NUMBER	NEW LINED BRAKE SHOE KIT NUMBER	MINOR HARDWARE KIT NUMBER	NEW SHOE NUMBER	
					MERITOR PRODUCTION	MERITOR AFTERMARKET
1308E	MA210	SMA210 1308E	KSMA210 1308E	R507004		R1308E
1308E	MA212	SMA212 1308E	KSMA212 1308E	R507004		R1308E
1308E	MA310	SMA310 1308E	KSMA310 1308E	R507004		R1308E
1308E	MA312	SMA312 1308E	KSMA312 1308E	R507004		R1308E
1308E	R301	SR301 1308E	KSR301 1308E	R507004		R1308E

15" x 4" Meritor Q Front



FMSI/SHOE TYPE	MERITOR FRICTION MIX	NEW LINED BRAKE SHOE NUMBER	NEW LINED BRAKE SHOE KIT NUMBER	MINOR HARDWARE KIT NUMBER	NEW SHOE NUMBER	
					MERITOR PRODUCTION	MERITOR AFTERMARKET
1308Q	MA210	SMA210 1308Q	KSMA210 1308Q	KIT 8021	A-3222-F-1982	
1308Q	MA212	SMA212 1308Q	KSMA212 1308Q	KIT 8021	A-3222-F-1982	
1308Q	MA310	SMA310 1308Q	KSMA310 1308Q	KIT 8021	A-3222-F-1982	
1308Q	MA312	SMA312 1308Q	KSMA312 1308Q	KIT 8021	A-3222-F-1982	
1308Q	R301	SR301 1308Q	KSR301 1308Q	KIT 8021	A-3222-F-1982	

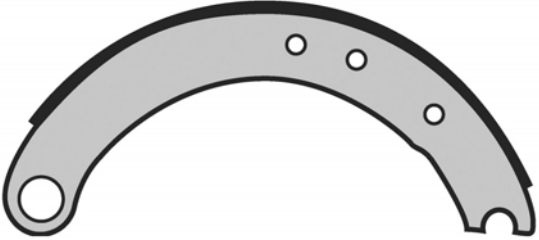
15" x 4" Meritor Q Plus Front



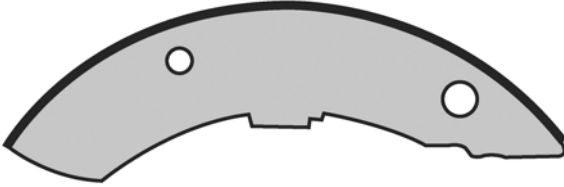
FMSI/SHOE TYPE	MERITOR FRICTION MIX	NEW LINED BRAKE SHOE NUMBER	NEW LINED BRAKE SHOE KIT NUMBER	MINOR HARDWARE KIT NUMBER	NEW SHOE NUMBER	
					MERITOR PRODUCTION	MERITOR AFTERMARKET
4702QP	MA210	SMA210 4702QP	KSMA210 4702QP	KIT 8824HD	A-3222-M-2223	
4702QP	MA212	SMA212 4702QP	KSMA212 4702QP	KIT 8824HD	A-3222-M-2223	
4702QP	MA310	SMA310 4702QP	KSMA310 4702QP	KIT 8824HD	A-3222-M-2223	
4702QP	MA312	SMA312 4702QP	KSMA312 4702QP	KIT 8824HD	A-3222-M-2223	
4702QP	R301	SR301 4702QP	KSR301 4702QP	KIT 8824HD	A-3222-M-2223	

# NEW LINED BRAKE SHOES & BRAKE SHOE KITS

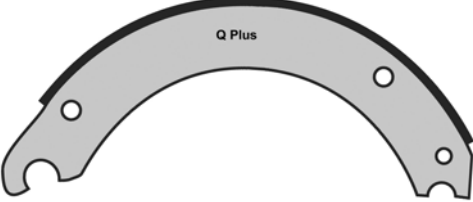
15" x 4" Meritor T Front

						
FMSI/SHOE TYPE	MERITOR FRICTION MIX	NEW LINED BRAKE SHOE NUMBER	NEW LINED BRAKE SHOE KIT NUMBER	MINOR HARDWARE KIT NUMBER	NEW SHOE NUMBER	
					MERITOR PRODUCTION	MERITOR AFTERMARKET
1308T	MA210	SMA210 1308T	KSMA210 1308T	KIT 9094	A-3222-F-1072	
1308T	MA212	SMA212 1308T	KSMA212 1308T	KIT 9094	A-3222-F-1072	
1308T	MA310	SMA310 1308T	KSMA310 1308T	KIT 9094	A-3222-F-1072	
1308T	R301	SR301 1308T	KSR301 1308T	KIT 9094	A-3222-F-1072	

15" x 5" Meritor Lucas Hydraulic

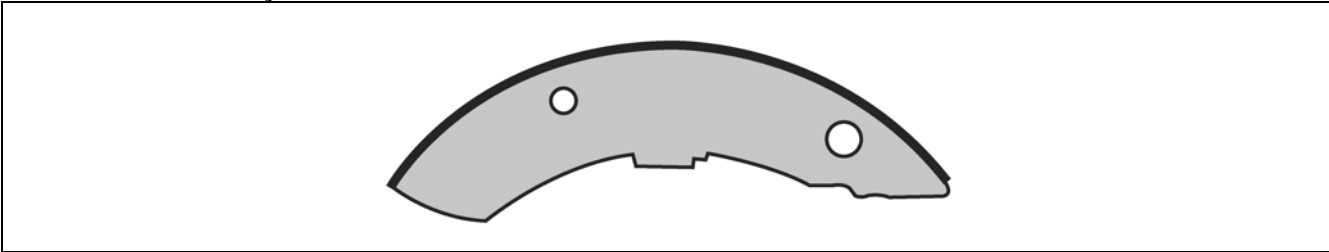
						
FMSI/SHOE TYPE	MERITOR FRICTION MIX	NEW LINED BRAKE SHOE NUMBER	NEW LINED BRAKE SHOE KIT NUMBER	MINOR HARDWARE KIT NUMBER	NEW SHOE NUMBER	
					MERITOR PRODUCTION	MERITOR AFTERMARKET
4528	MA212	SMA212 4528	KSMA212 4528	SP7896S, SP7897S	45 1003	

15" x 5" Meritor Q Plus Front

						
FMSI/SHOE TYPE	MERITOR FRICTION MIX	NEW LINED BRAKE SHOE NUMBER	NEW LINED BRAKE SHOE KIT NUMBER	MINOR HARDWARE KIT NUMBER	NEW SHOE NUMBER	
					MERITOR PRODUCTION	MERITOR AFTERMARKET
4703QP	MA212	SMA212 4703QP	KSMA212 4703QP	KIT 8824HD	A-3222-D-2110	
4703QP	MA312	SMA312 4703QP	KSMA312 4703QP	KIT 8824HD	A-3222-D-2110	
4703QP	R301	SR301 4703QP	KSR301 4703QP	KIT 8824HD	A-3222-D-2110	
4703QP	R403	SR403 4703QP	KSR403 4703QP	KIT 8824HD	A-3222-D-2110	

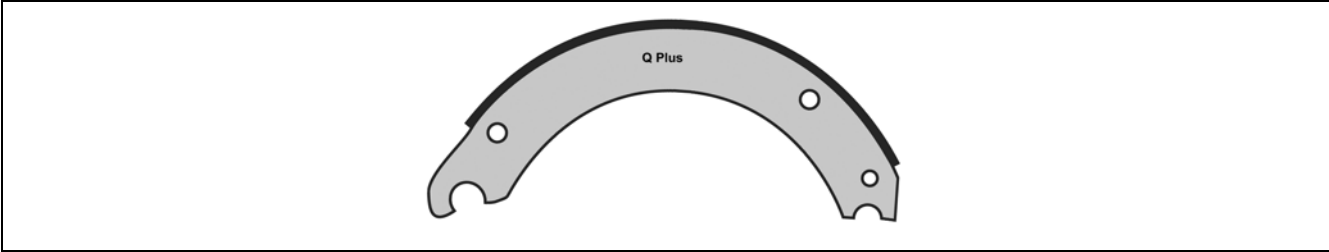
# NEW LINED BRAKE SHOES & BRAKE SHOE KITS

15" x 6" Meritor Lucas Hydraulic



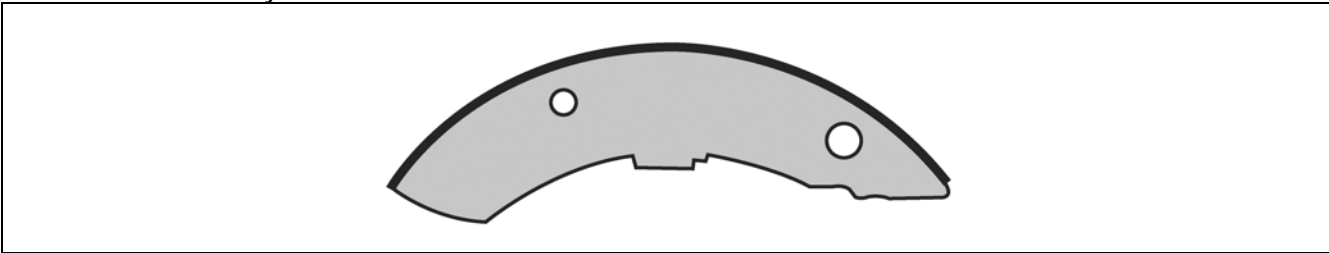
FMSI/SHOE TYPE	MERITOR FRICTION MIX	NEW LINED BRAKE SHOE NUMBER	NEW LINED BRAKE SHOE KIT NUMBER	MINOR HARDWARE KIT NUMBER	NEW SHOE NUMBER	
					MERITOR PRODUCTION	MERITOR AFTERMARKET
4504	MA212	SMA212 4504		SP7896S, SP7897S	45 1004	

15" x 6" Meritor Q Plus Front



FMSI/SHOE TYPE	MERITOR FRICTION MIX	NEW LINED BRAKE SHOE NUMBER	NEW LINED BRAKE SHOE KIT NUMBER	MINOR HARDWARE KIT NUMBER	NEW SHOE NUMBER	
					MERITOR PRODUCTION	MERITOR AFTERMARKET
4704QP	MA212	SMA212 4704QP	KSMA212 4704QP	KIT 8824HD	A-3222-E-2111	
4704QP	R301	SR301 4704QP	KSR301 4704QP	KIT 8824HD	A-3222-E-2111	

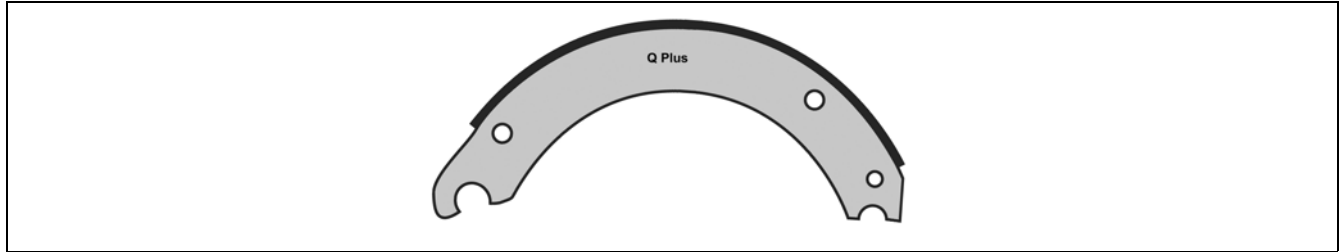
15" x 7" Meritor Lucas Hydraulic



FMSI/SHOE TYPE	MERITOR FRICTION MIX	NEW LINED BRAKE SHOE NUMBER	NEW LINED BRAKE SHOE KIT NUMBER	MINOR HARDWARE KIT NUMBER	NEW SHOE NUMBER	
					MERITOR PRODUCTION	MERITOR AFTERMARKET
4505	MA212	SMA212 4505		SP7896S, SP7897S	45 1005	

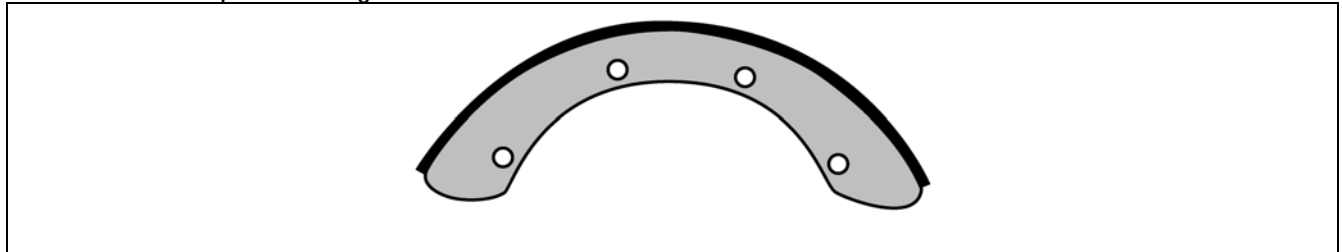
# NEW LINED BRAKE SHOES & BRAKE SHOE KITS

15" x 7" Meritor Q Plus Front



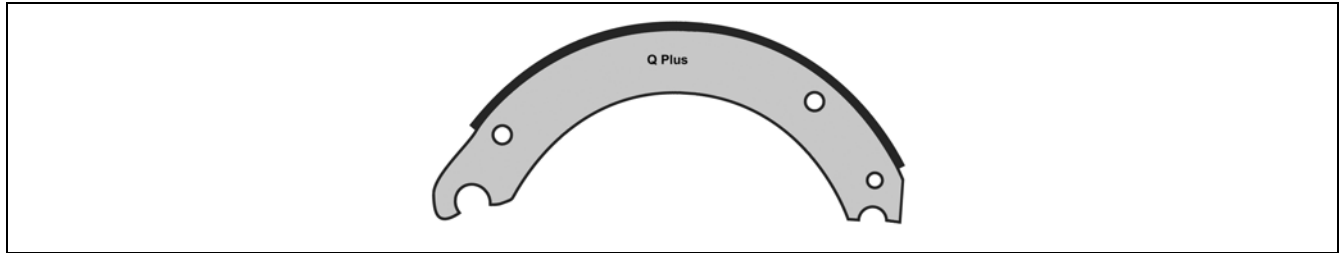
FMSI/SHOE TYPE	MERITOR FRICTION MIX	NEW LINED BRAKE SHOE NUMBER	NEW LINED BRAKE SHOE KIT NUMBER	MINOR HARDWARE KIT NUMBER	NEW SHOE NUMBER	
					MERITOR PRODUCTION	MERITOR AFTERMARKET
4705QP	MA212	SMA212 4705QP	KSMA212 4705QP	KIT 8824HD	A-3222-F-2112	
4705QP	R301	SR301 4705QP	KSR301 4705QP	KIT 8824HD	A-3222-F-2112	

15" x 7" Meritor Stopmaster Wedge



FMSI/SHOE TYPE	MERITOR FRICTION MIX	NEW LINED BRAKE SHOE NUMBER	NEW LINED BRAKE SHOE KIT NUMBER	MINOR HARDWARE KIT NUMBER	NEW SHOE NUMBER	
					MERITOR PRODUCTION	MERITOR AFTERMARKET
4602RD	R403	SR403 4602RD	KSR403 4602RD	KIT 1162	A-3222-S-2021	

15" x 8-5/8" Meritor Q Plus Front

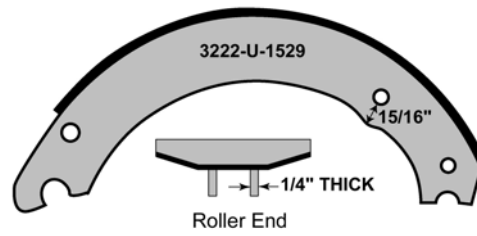


FMSI/SHOE TYPE	MERITOR FRICTION MIX	NEW LINED BRAKE SHOE NUMBER	NEW LINED BRAKE SHOE KIT NUMBER	MINOR HARDWARE KIT NUMBER	NEW SHOE NUMBER	
					MERITOR PRODUCTION	MERITOR AFTERMARKET
4710QP	MA212	SMA212 4710QP	KSMA212 4710QP	KIT 8824HD	A-3222-A-2159	
4710QP	MA312	SMA312 4710QP	KSMA312 4710QP	KIT 8824HD	A-3222-A-2159	
4710QP	R301	SR301 4710QP	KSR301 4710QP	KIT 8824HD	A-3222-A-2159	



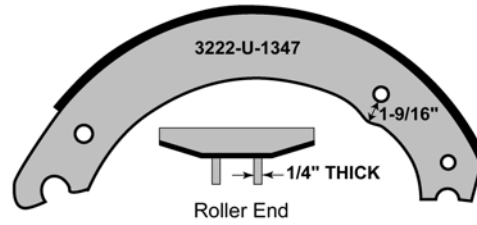
# NEW LINED BRAKE SHOES & BRAKE SHOE KITS

16-1/2" x 5" Meritor Q for 1.68" Offset Spider with Relocated Retainer Spring Hole



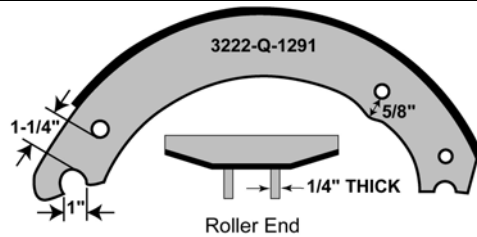
FMSI/SHOE TYPE	MERITOR FRICTION MIX	NEW LINED BRAKE SHOE NUMBER	NEW LINED BRAKE SHOE KIT NUMBER	MINOR HARDWARE KIT NUMBER	NEW SHOE NUMBER	
					MERITOR PRODUCTION	MERITOR AFTERMARKET
4524QA	R301	SR301 4524QA	KSR301 4524QA	KIT 8028A	A-3222-G-1541	

16-1/2" x 5" Meritor Q with Relocated Return Spring Hole



FMSI/SHOE TYPE	MERITOR FRICTION MIX	NEW LINED BRAKE SHOE NUMBER	NEW LINED BRAKE SHOE KIT NUMBER	MINOR HARDWARE KIT NUMBER	NEW SHOE NUMBER	
					MERITOR PRODUCTION	MERITOR AFTERMARKET
4524QR	MA210	SMA210 4524QR	KSMA210 4524QR	KIT 8081	A-3222-J-1440	
4524QR	MA212	SMA212 4524QR	KSMA212 4524QR	KIT 8081	A-3222-J-1440	
4524QR	MA310	SMA310 4524QR	KSMA310 4524QR	KIT 8081	A-3222-J-1440	
4524QR	MA312	SMA312 4524QR	KSMA312 4524QR	KIT 8081	A-3222-J-1440	
4524QR	R301	SR301 4524QR	KSR301 4524QR	KIT 8081	A-3222-J-1440	
4524QR	R403	SR403 4524QR	KSR403 4524QR	KIT 8081	A-3222-J-1440	

16-1/2" x 5" Meritor Q

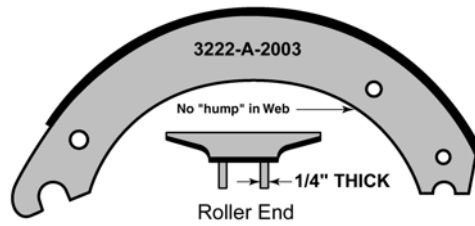


FMSI/SHOE TYPE	MERITOR FRICTION MIX	NEW LINED BRAKE SHOE NUMBER	NEW LINED BRAKE SHOE KIT NUMBER	MINOR HARDWARE KIT NUMBER	NEW SHOE NUMBER	
					MERITOR PRODUCTION	MERITOR AFTERMARKET
4524Q	MA210	SMA210 4524Q	KSMA210 4524Q	KIT 8000	A-3222-E-1383	
4524Q	MA212	SMA212 4524Q	KSMA212 4524Q	KIT 8000	A-3222-E-1383	
4524Q	MA310	SMA310 4524Q	KSMA310 4524Q	KIT 8000	A-3222-E-1383	
4524Q	MA312	SMA312 4524Q	KSMA312 4524Q	KIT 8000	A-3222-E-1383	
4524Q	R301	SR301 4524Q	KSR301 4524Q	KIT 8000	A-3222-E-1383	
4524Q	R403	SR403 4524Q	KSR403 4524Q	KIT 8000	A-3222-E-1383	

# NEW LINED BRAKE SHOES & BRAKE SHOE KITS

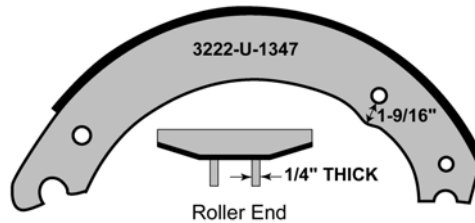
16-1/2" x 5" Meritor Q Plus

					NEW SHOE NUMBER	
					MERITOR PRODUCTION	MERITOR AFTERMARKET
FMSI/SHOE TYPE	MERITOR FRICTION MIX	NEW LINED BRAKE SHOE NUMBER	NEW LINED BRAKE SHOE KIT NUMBER	MINOR HARDWARE KIT NUMBER		
4720QP	MA212	SMA212 4720QP	KSMA212 4720QP	KIT 8081	A-3222-Z-2288	
4720QP	MA310	SMA310 4720QP	KSMA310 4720QP	KIT 8081	A-3222-Z-2288	
4720QP	MA312	SMA312 4720QP	KSMA312 4720QP	KIT 8081	A-3222-Z-2288	
4720QP	R301	SR301 4720QP	KSR301 4720QP	KIT 8081	A-3222-Z-2288	
4720QP	R403	SR403 4720QP	KSR403 4720QP	KIT 8081	A-3222-Z-2288	



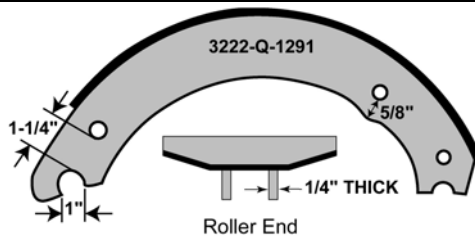
16-1/2" x 6" Meritor Q with Relocated Return Spring Hole

					NEW SHOE NUMBER	
					MERITOR PRODUCTION	MERITOR AFTERMARKET
FMSI/SHOE TYPE	MERITOR FRICTION MIX	NEW LINED BRAKE SHOE NUMBER	NEW LINED BRAKE SHOE KIT NUMBER	MINOR HARDWARE KIT NUMBER		
4514QR	MA212	SMA212 4514QR	KSMA212 4514QR	KIT 8080	A-3222-V-1348	
4514QR	MA310	SMA310 4514QR	KSMA310 4514QR	KIT 8080	A-3222-V-1348	
4514QR	MA312	SMA312 4514QR	KSMA312 4514QR	KIT 8080	A-3222-V-1348	
4514QR	R301	SR301 4514QR	KSR301 4514QR	KIT 8080	A-3222-V-1348	
4514QR	R403	SR403 4514QR	KSR403 4514QR	KIT 8080	A-3222-V-1348	



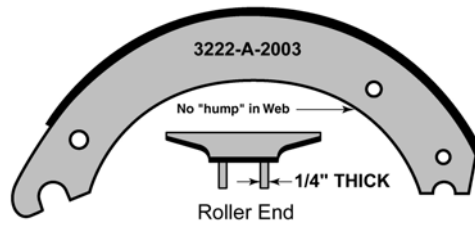
16-1/2" x 6" Meritor Q

					NEW SHOE NUMBER	
					MERITOR PRODUCTION	MERITOR AFTERMARKET
FMSI/SHOE TYPE	MERITOR FRICTION MIX	NEW LINED BRAKE SHOE NUMBER	NEW LINED BRAKE SHOE KIT NUMBER	MINOR HARDWARE KIT NUMBER		
4514Q	MA212	SMA212 4514Q	KSMA212 4514Q	KIT 8000	A-3222-C-1381	
4514Q	MA310	SMA310 4514Q	KSMA310 4514Q	KIT 8000	A-3222-C-1381	
4514Q	MA312	SMA312 4514Q	KSMA312 4514Q	KIT 8000	A-3222-C-1381	
4514Q	R301	SR301 4514Q	KSR301 4514Q	KIT 8000	A-3222-C-1381	
4514Q	R403	SR403 4514Q	KSR403 4514Q	KIT 8000	A-3222-C-1381	



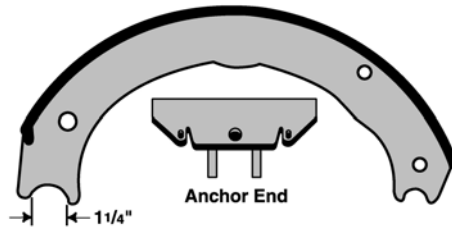
# NEW LINED BRAKE SHOES & BRAKE SHOE KITS

16-1/2" x 6" Meritor Q Plus



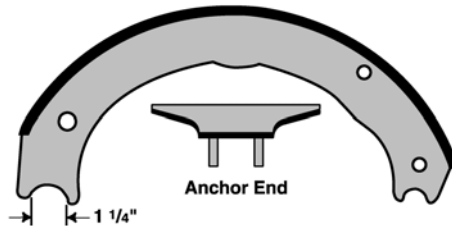
FMSI/SHOE TYPE	MERITOR FRICTION MIX	NEW LINED BRAKE SHOE NUMBER	NEW LINED BRAKE SHOE KIT NUMBER	MINOR HARDWARE KIT NUMBER	NEW SHOE NUMBER	
					MERITOR PRODUCTION	MERITOR AFTERMARKET
4715QP	MA210	SMA210 4715QP	KSMA210 4715QP	KIT 8081	A-3222-P-2200	
4715QP	MA212	SMA212 4715QP	KSMA212 4715QP	KIT 8081	A-3222-P-2200	
4715QP	MA310	SMA310 4715QP	KSMA310 4715QP	KIT 8081	A-3222-P-2200	
4715QP	MA312	SMA312 4715QP	KSMA312 4715QP	KIT 8081	A-3222-P-2200	
4715QP	R301	SR301 4715QP	KSR301 4715QP	KIT 8081	A-3222-P-2200	
4715QP	R403	SR403 4715QP	KSR403 4715QP	KIT 8081	A-3222-P-2200	

16-1/2" x 7" Eaton ES I



FMSI/SHOE TYPE	MERITOR FRICTION MIX	NEW LINED BRAKE SHOE NUMBER	NEW LINED BRAKE SHOE KIT NUMBER	MINOR HARDWARE KIT NUMBER	NEW SHOE NUMBER	
					MERITOR PRODUCTION	MERITOR AFTERMARKET
4709E1	MA210	SMA210 4709E1	KSMA210 4709E1	R507057		R4709
4709E1	MA212	SMA212 4709E1	KSMA212 4709E1	R507057		R4709
4709E1	MA310	SMA310 4709E1	KSMA310 4709E1	R507057		R4709
4709E1	MA312	SMA312 4709E1	KSMA312 4709E1	R507057		R4709
4709E1	R301	SR301 4709E1	KSR301 4709E1	R507057		R4709

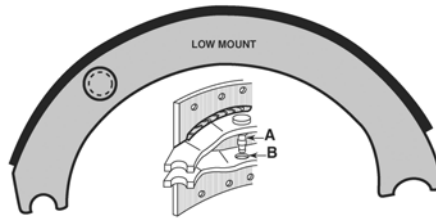
16-1/2" x 7" Eaton ES II



FMSI/SHOE TYPE	MERITOR FRICTION MIX	NEW LINED BRAKE SHOE NUMBER	NEW LINED BRAKE SHOE KIT NUMBER	MINOR HARDWARE KIT NUMBER	NEW SHOE NUMBER	
					MERITOR PRODUCTION	MERITOR AFTERMARKET
4709E2	MA210	SMA210 4709E2	KSMA210 4709E2	R507064		R4709G2
4709E2	MA212	SMA212 4709E2	KSMA212 4709E2	R507064		R4709G2
4709E2	MA310	SMA310 4709E2	KSMA310 4709E2	R507064		R4709G2
4709E2	MA312	SMA312 4709E2	KSMA312 4709E2	R507064		R4709G2
4709E2	R301	SR301 4709E2	KSR301 4709E2	R507064		R4709G2

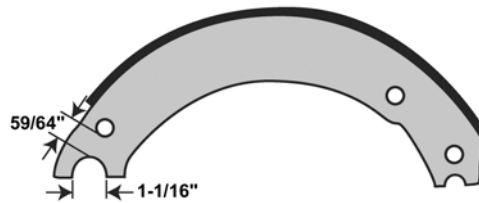
# NEW LINED BRAKE SHOES & BRAKE SHOE KITS

## 16-1/2" x 7" Eaton Low Mount



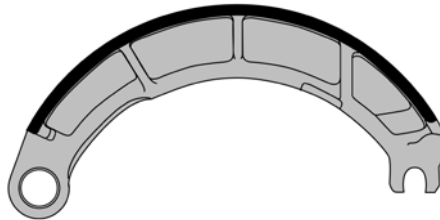
FMSI/SHOE TYPE	MERITOR FRICTION MIX	NEW LINED BRAKE SHOE NUMBER	NEW LINED BRAKE SHOE KIT NUMBER	MINOR HARDWARE KIT NUMBER	NEW SHOE NUMBER	
					MERITOR PRODUCTION	MERITOR AFTERMARKET
4311E	MA210	SMA210 4311E	KSMA210 4311E	R507002		R4311
4311E	MA212	SMA212 4311E	KSMA212 4311E	R507002		R4311
4311E	MA310	SMA310 4311E	KSMA310 4311E	R507002		R4311
4311E	MA312	SMA312 4311E	KSMA312 4311E	R507002		R4311
4311E	R301	SR301 4311E	KSR301 4311E	R507002		R4311

## 16-1/2" x 7" Fruehauf XEM3



FMSI/SHOE TYPE	MERITOR FRICTION MIX	NEW LINED BRAKE SHOE NUMBER	NEW LINED BRAKE SHOE KIT NUMBER	MINOR HARDWARE KIT NUMBER	NEW SHOE NUMBER	
					MERITOR PRODUCTION	MERITOR AFTERMARKET
4515F3	MA210	SMA210 4515F3	KSMA210 4515F3	R507008		R4515F3
4515F3	MA212	SMA212 4515F3	KSMA212 4515F3	R507008		R4515F3
4515F3	MA310	SMA310 4515F3	KSMA310 4515F3	R507008		R4515F3
4515F3	MA312	SMA312 4515F3	KSMA312 4515F3	R507008		R4515F3
4515F3	R301	SR301 4515F3	KSR301 4515F3	R507008		R4515F3

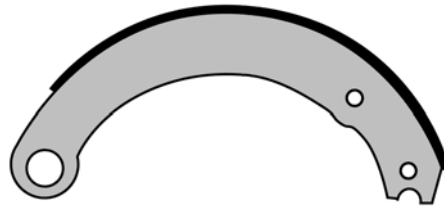
## 16-1/2" x 7" Meritor P Cast



FMSI/SHOE TYPE	MERITOR FRICTION MIX	NEW LINED BRAKE SHOE NUMBER	NEW LINED BRAKE SHOE KIT NUMBER	MINOR HARDWARE KIT NUMBER	NEW SHOE NUMBER	
					MERITOR PRODUCTION	MERITOR AFTERMARKET
4515PC	R403	SR403 4515PC	KSR403 4515PC	KIT 9081	A-3222-D-1954	

# NEW LINED BRAKE SHOES & BRAKE SHOE KITS

## 16-1/2" x 7" Meritor P

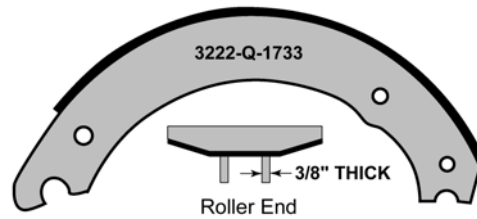


FMSI/SHOE TYPE	MERITOR FRICTION MIX	NEW LINED BRAKE SHOE NUMBER	NEW LINED BRAKE SHOE KIT NUMBER	MINOR HARDWARE KIT NUMBER	NEW SHOE NUMBER	
					MERITOR PRODUCTION	MERITOR AFTERMARKET
4515P	MA210	SMA210 4515P	KSMA210 4515P	KIT 9000	A-3722-N-66	
4515P	MA212	SMA212 4515P	KSMA212 4515P	KIT 9000	A-3722-N-66	
4515P	MA310	SMA310 4515P	KSMA310 4515P	KIT 9000	A-3722-N-66	
4515P	MA312	SMA312 4515P	KSMA312 4515P	KIT 9000	A-3722-N-66	
4515P	R301	SR301 4515P	KSR301 4515P	KIT 9000	A-3722-N-66	
4515P	R403	SR403 4515P	KSR403 4515P	KIT 9000	A-3722-N-66	

### Price Point Shoes

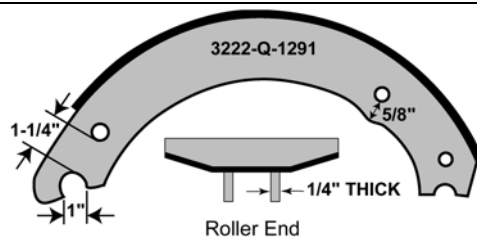
4515P	MA210	PSMA210 4515P	PKSMA210 4515P	MKT 4515P		R4515P
4515P	MA212	PSMA212 4515P	PKSMA212 4515P	MKT 4515P		R4515P
4515P	MA310	PSMA310 4515P	PKSMA310 4515P	MKT 4515P		R4515P
4515P	MA312	PSMA312 4515P	PKSMA312 4515P	MKT 4515P		R4515P
4515P	R301	PSR301 4515P	PKSR301 4515P	MKT 4515P		R4515P

## 16-1/2" x 7" Meritor Q Heavy Duty



FMSI/SHOE TYPE	MERITOR FRICTION MIX	NEW LINED BRAKE SHOE NUMBER	NEW LINED BRAKE SHOE KIT NUMBER	MINOR HARDWARE KIT NUMBER	NEW SHOE NUMBER	
					MERITOR PRODUCTION	MERITOR AFTERMARKET
4515QM	R403	SR403 4515QM	KSR403 4515QM	KIT 8026HD	A-3222-S-1735	

## 16-1/2" x 7" Meritor Q



FMSI/SHOE TYPE	MERITOR FRICTION MIX	NEW LINED BRAKE SHOE NUMBER	NEW LINED BRAKE SHOE KIT NUMBER	MINOR HARDWARE KIT NUMBER	NEW SHOE NUMBER	
					MERITOR PRODUCTION	MERITOR AFTERMARKET
4515Q	MA210	SMA210 4515Q	KSMA210 4515Q	KIT 8000	A91-3222-S-1293	
4515Q	MA212	SMA212 4515Q	KSMA212 4515Q	KIT 8000	A91-3222-S-1293	
4515Q	MA310	SMA310 4515Q	KSMA310 4515Q	KIT 8000	A91-3222-S-1293	
4515Q	MA312	SMA312 4515Q	KSMA312 4515Q	KIT 8000	A91-3222-S-1293	
4515Q	R301	SR301 4515Q	KSR301 4515Q	KIT 8000	A91-3222-S-1293	
4515Q	R403	SR403 4515Q	KSR403 4515Q	KIT 8000	A91-3222-S-1293	

# NEW LINED BRAKE SHOES & BRAKE SHOE KITS

## 16-1/2" x 7" Meritor Q

FMSI/SHOE TYPE	MERITOR FRICTION MIX	NEW LINED BRAKE SHOE NUMBER	NEW LINED BRAKE SHOE KIT NUMBER	MINOR HARDWARE KIT NUMBER	NEW SHOE NUMBER	
					MERITOR PRODUCTION	MERITOR AFTERMARKET

### Price Point Shoes

4515Q	MA210	PSMA210 4515Q	PKSMA210 4515Q	MKT 4515Q		R4515
4515Q	MA212	PSMA212 4515Q	PKSMA212 4515Q	MKT 4515Q		R4515
4515Q	MA310	PSMA310 4515Q	PKSMA310 4515Q	MKT 4515Q		R4515
4515Q	MA312	PSMA312 4515Q	PKSMA312 4515Q	MKT 4515Q		R4515
4515Q	R301	PSR301 4515Q	PKSR301 4515Q	MKT 4515Q		R4515

## 16-1/2" x 7" Meritor Q Plus Heavy Duty

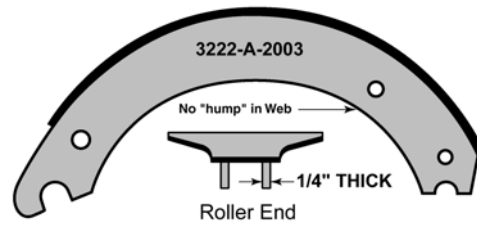
FMSI/SHOE TYPE	MERITOR FRICTION MIX	NEW LINED BRAKE SHOE NUMBER	NEW LINED BRAKE SHOE KIT NUMBER	MINOR HARDWARE KIT NUMBER	NEW SHOE NUMBER	
					MERITOR PRODUCTION	MERITOR AFTERMARKET
4707QPM	MA310	SMA310 4707QPM	KSMA310 4707QPM	KIT 8844HD	A-3222-X-2208	
4707QPM	R301	SR301 4707QPM	KSR301 4707QPM	KIT 8844HD	A-3222-X-2208	
4707QPM	R403	SR403 4707QPM	KSR403 4707QPM	KIT 8844HD	A-3222-X-2208	

## 16-1/2" x 7" Meritor Q Plus

FMSI/SHOE TYPE	MERITOR FRICTION MIX	NEW LINED BRAKE SHOE NUMBER	NEW LINED BRAKE SHOE KIT NUMBER	MINOR HARDWARE KIT NUMBER	NEW SHOE NUMBER	
					MERITOR PRODUCTION	MERITOR AFTERMARKET
4707QP	MA210	SMA210 4707QP	KSMA210 4707QP	KIT 8000HD	A19-3222-D-2006	
4707QP	MA212	SMA212 4707QP	KSMA212 4707QP	KIT 8000HD	A19-3222-D-2006	
4707QP	MA310	SMA310 4707QP	KSMA310 4707QP	KIT 8000HD	A19-3222-D-2006	
4707QP	MA312	SMA312 4707QP	KSMA312 4707QP	KIT 8000HD	A19-3222-D-2006	
4707QP	R301	SR301 4707QP	KSR301 4707QP	KIT 8000HD	A19-3222-D-2006	
4707QP	R403	SR403 4707QP	KSR403 4707QP	KIT 8000HD	A19-3222-D-2006	

# NEW LINED BRAKE SHOES & BRAKE SHOE KITS

16-1/2" x 7" Meritor Q Plus

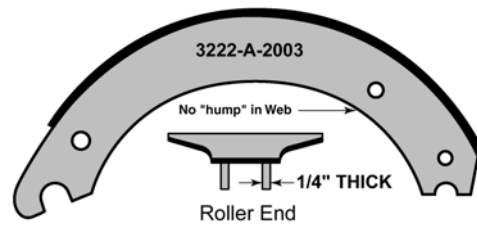


FMSI/SHOE TYPE	MERITOR FRICTION MIX	NEW LINED BRAKE SHOE NUMBER	NEW LINED BRAKE SHOE KIT NUMBER	MINOR HARDWARE KIT NUMBER	NEW SHOE NUMBER	
					MERITOR PRODUCTION	MERITOR AFTERMARKET

**Price Point Shoes**

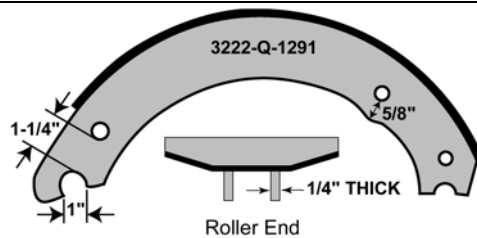
4707QP	MA210	PSMA210 4707QP	PKSMA210 4707QP	MKT 4515QHD		R4707
4707QP	MA212	PSMA212 4707QP	PKSMA212 4707QP	MKT 4515QHD		R4707
4707QP	MA310	PSMA310 4707QP	PKSMA310 4707QP	MKT 4515QHD		R4707
4707QP	MA312	PSMA312 4707QP	PKSMA312 4707QP	MKT 4515QHD		R4707
4707QP	R301	PSR301 4707QP	PKSR301 4707QP	MKT 4515QHD		R4707

16-1/2" x 8" Meritor Q Plus



FMSI/SHOE TYPE	MERITOR FRICTION MIX	NEW LINED BRAKE SHOE NUMBER	NEW LINED BRAKE SHOE KIT NUMBER	MINOR HARDWARE KIT NUMBER	NEW SHOE NUMBER	
					MERITOR PRODUCTION	MERITOR AFTERMARKET
4718QP	MA210	SMA210 4718QP	KSMA210 4718QP	KIT 8000HD	A-3222-J-2272	
4718QP	MA212	SMA212 4718QP	KSMA212 4718QP	KIT 8000HD	A-3222-J-2272	
4718QP	MA310	SMA310 4718QP	KSMA310 4718QP	KIT 8000HD	A-3222-J-2272	
4718QP	MA312	SMA312 4718QP	KSMA312 4718QP	KIT 8000HD	A-3222-J-2272	
4718QP	R301	SR301 4718QP	KSR301 4718QP	KIT 8000HD	A-3222-J-2272	

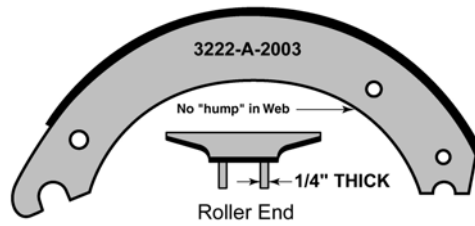
16-1/2" x 8-5/8" Meritor Q



FMSI/SHOE TYPE	MERITOR FRICTION MIX	NEW LINED BRAKE SHOE NUMBER	NEW LINED BRAKE SHOE KIT NUMBER	MINOR HARDWARE KIT NUMBER	NEW SHOE NUMBER	
					MERITOR PRODUCTION	MERITOR AFTERMARKET
4551Q	MA210	SMA210 4551Q	KSMA210 4551Q	KIT 8000HD	A-3222-T-1346	
4551Q	MA212	SMA212 4551Q	KSMA212 4551Q	KIT 8000HD	A-3222-T-1346	
4551Q	MA310	SMA310 4551Q	KSMA310 4551Q	KIT 8000HD	A-3222-T-1346	
4551Q	R301	SR301 4551Q	KSR301 4551Q	KIT 8000HD	A-3222-T-1346	
4551Q	R403	SR403 4551Q	KSR403 4551Q	KIT 8000HD	A-3222-T-1346	

# NEW LINED BRAKE SHOES & BRAKE SHOE KITS

16-1/2" x 8-5/8" Meritor Q Plus



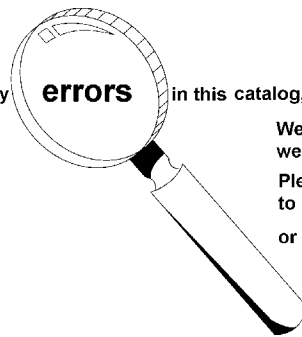
FMSI/SHOE TYPE	MERITOR FRICTION MIX	NEW LINED BRAKE SHOE NUMBER	NEW LINED BRAKE SHOE KIT NUMBER	MINOR HARDWARE KIT NUMBER	NEW SHOE NUMBER	
					MERITOR PRODUCTION	MERITOR AFTERMARKET
4711QP	MA210	SMA210 4711QP	KSMA210 4711QP	KIT 8000HD	A-3222-K-2169	
4711QP	MA212	SMA212 4711QP	KSMA212 4711QP	KIT 8000HD	A-3222-K-2169	
4711QP	MA312	SMA312 4711QP	KSMA312 4711QP	KIT 8000HD	A-3222-K-2169	
4711QP	R301	SR301 4711QP	KSR301 4711QP	KIT 8000HD	A-3222-K-2169	
4711QP	R403	SR403 4711QP	KSR403 4711QP	KIT 8000HD	A-3222-K-2169	



# MERITOR™

an **ArvinMeritor** brand

If you detect any **errors** in this catalog, please let us know.



We want the information to be as accurate as possible; we appreciate your help in making it so.

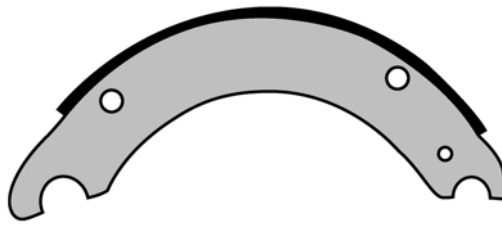
Please e-mail any comments/suggestions/corrections to us at: [catalogfeedback@arvinmeritor.com](mailto:catalogfeedback@arvinmeritor.com)

or mail to: ArvinMeritor  
attn: Catalog Dept.  
7975 Dixie Highway  
Florence, KY 41042



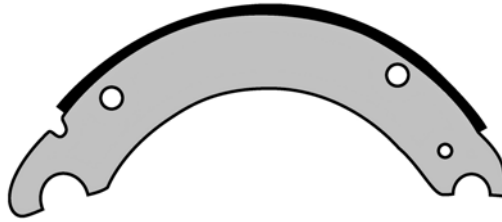
# REMANUFACTURED BRAKE SHOES & BRAKE SHOE KITS

12-1/4" x 7-1/2" Dana Spicer Fast Change II



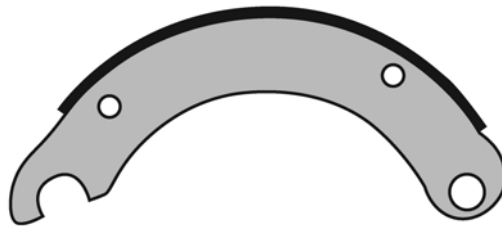
FMSI/SHOE TYPE	MERITOR FRICTION MIX	REMAN BRAKE SHOE NUMBER	REMAN BRAKE SHOE KIT NUMBER	MINOR HARDWARE KIT NUMBER	EXCHANGE SHOE CORE NUMBER	NEW SHOE NUMBER	
						MERITOR PRODUCTION	MERITOR AFTERMARKET
4692FC2	MA212	XSMA212 4692FC2		R507092	C4692FC2		R700028

12-1/4" x 7-1/2" Dana Spicer U



FMSI/SHOE TYPE	MERITOR FRICTION MIX	REMAN BRAKE SHOE NUMBER	REMAN BRAKE SHOE KIT NUMBER	MINOR HARDWARE KIT NUMBER	EXCHANGE SHOE CORE NUMBER	NEW SHOE NUMBER	
						MERITOR PRODUCTION	MERITOR AFTERMARKET
4692U	MA212	XSMA212 4692U	XK212 4692U	R507076	C4692U		R700011

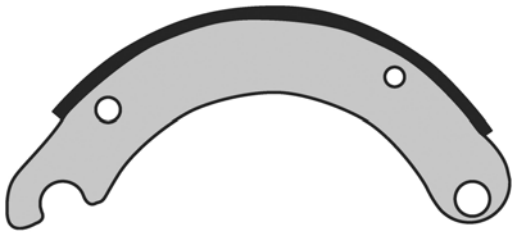
12-1/4" x 7-1/2" Dexter PQ



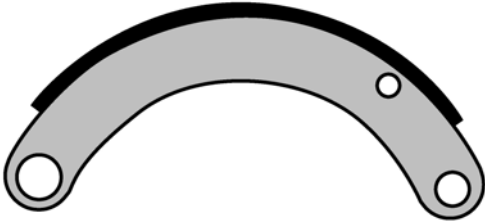
FMSI/SHOE TYPE	MERITOR FRICTION MIX	REMAN BRAKE SHOE NUMBER	REMAN BRAKE SHOE KIT NUMBER	MINOR HARDWARE KIT NUMBER	EXCHANGE SHOE CORE NUMBER	NEW SHOE NUMBER	
						MERITOR PRODUCTION	MERITOR AFTERMARKET
4591D	MA212	XSMA212 4591D	XK212 4591D	R507095	C4591D		R700031

# REMANUFACTURED BRAKE SHOES & BRAKE SHOE KITS

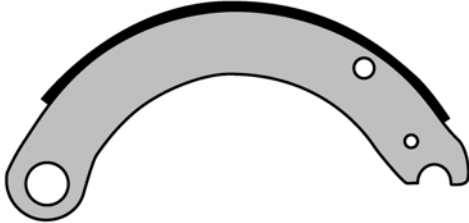
12-1/4" x 7-1/2" Meritor Q

							
FMSI/SHOE TYPE	MERITOR FRICTION MIX	REMAN BRAKE SHOE NUMBER	REMAN BRAKE SHOE KIT NUMBER	MINOR HARDWARE KIT NUMBER	EXCHANGE SHOE CORE NUMBER	NEW SHOE NUMBER	
						MERITOR PRODUCTION	MERITOR AFTERMARKET
4670Q	MA212	XSMA212 4670Q	XK212 4670Q	KIT 8004	C4670	A-3222-S-1527	
4670Q	MA312	XSMA312 4670Q	XK312 4670Q	KIT 8004	C4670	A-3222-S-1527	

12-1/4" x 7-1/2" Standard Forge Closed Roller End

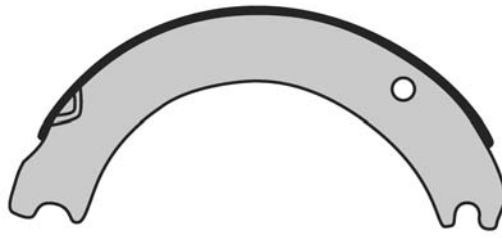
							
FMSI/SHOE TYPE	MERITOR FRICTION MIX	REMAN BRAKE SHOE NUMBER	REMAN BRAKE SHOE KIT NUMBER	MINOR HARDWARE KIT NUMBER	EXCHANGE SHOE CORE NUMBER	NEW SHOE NUMBER	
						MERITOR PRODUCTION	MERITOR AFTERMARKET
4591S	MA212	XSMA212 4591S	XK212 4591S	R507015	C4591S		R704591

12-1/4" x 7-1/2" Standard Forge Open Roller End

							
FMSI/SHOE TYPE	MERITOR FRICTION MIX	REMAN BRAKE SHOE NUMBER	REMAN BRAKE SHOE KIT NUMBER	MINOR HARDWARE KIT NUMBER	EXCHANGE SHOE CORE NUMBER	NEW SHOE NUMBER	
						MERITOR PRODUCTION	MERITOR AFTERMARKET
4692	MA212	XSMA212 4692	XK212 4692	R507074	C4692		R700007

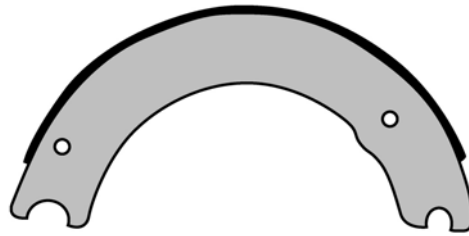
# REMANUFACTURED BRAKE SHOES & BRAKE SHOE KITS

15" x 4" Bendix



FMSI/SHOE TYPE	MERITOR FRICTION MIX	REMAN BRAKE SHOE NUMBER	REMAN BRAKE SHOE KIT NUMBER	MINOR HARDWARE KIT NUMBER	EXCHANGE SHOE CORE NUMBER	NEW SHOE NUMBER	
						MERITOR PRODUCTION	MERITOR AFTERMARKET
4693	MA212	XSMA212 4693	XK212 4693	R507080	C4693		R700013

15" x 4" Eaton ES Front



FMSI/SHOE TYPE	MERITOR FRICTION MIX	REMAN BRAKE SHOE NUMBER	REMAN BRAKE SHOE KIT NUMBER	MINOR HARDWARE KIT NUMBER	EXCHANGE SHOE CORE NUMBER	NEW SHOE NUMBER	
						MERITOR PRODUCTION	MERITOR AFTERMARKET
1443E	MA212	XSMA212 1443E	XK212 1443E	R507004	C1443		R700017
1443E	MA312	XSMA312 1443E	XK312 1443E	R507004	C1443		R700017
1443E	R301	XSR301 1443E	XK301 1443E	R507004	C1443		R700017

*XpresswayPlus.com*



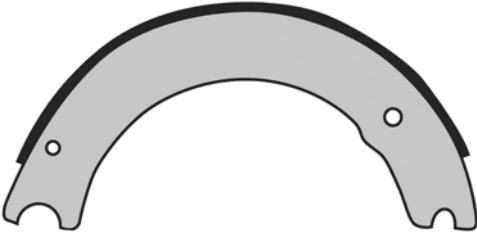
Don't forget about using *XpresswayPlus.com* for:

- Ordering parts online
- Order status
- Price and availability
- Visual search for new users
- Online e-mail or phone numbers for Customer Service, Information Services, Marketing, Catalog, and eSupport
- Reference Library
- The Company Store
- Easy to use navigating instructions
- Dealer/Distributor locator

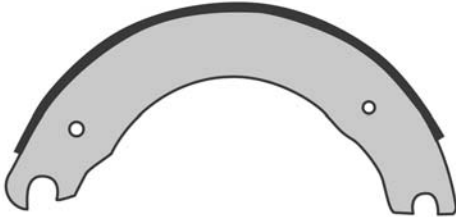
XpresswayPlus is easy to find, can reduce phone calls, and save you valuable time.

# REMANUFACTURED BRAKE SHOES & BRAKE SHOE KITS

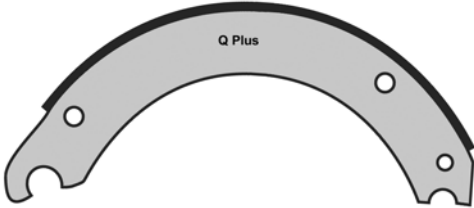
15" x 4" Eaton Front

							
FMSI/SHOE TYPE	MERITOR FRICTION MIX	REMAN BRAKE SHOE NUMBER	REMAN BRAKE SHOE KIT NUMBER	MINOR HARDWARE KIT NUMBER	EXCHANGE SHOE CORE NUMBER	NEW SHOE NUMBER	
						MERITOR PRODUCTION	MERITOR AFTERMARKET
1308E	MA210	XSMA210 1308E	XK210 1308E	R507004	C1308E		R1308E
1308E	MA212	XSMA212 1308E	XK212 1308E	R507004	C1308E		R1308E
1308E	MA310	XSMA310 1308E	XK310 1308E	R507004	C1308E		R1308E
1308E	MA312	XSMA312 1308E	XK312 1308E	R507004	C1308E		R1308E
1308E	R301	XSR301 1308E	XK301 1308E	R507004	C1308E		R1308E

15" x 4" Meritor Q Front

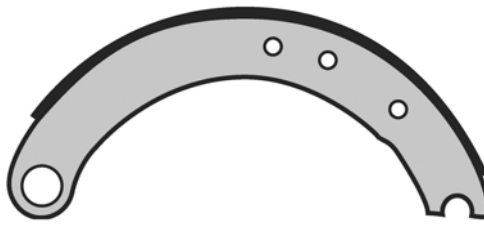
							
FMSI/SHOE TYPE	MERITOR FRICTION MIX	REMAN BRAKE SHOE NUMBER	REMAN BRAKE SHOE KIT NUMBER	MINOR HARDWARE KIT NUMBER	EXCHANGE SHOE CORE NUMBER	NEW SHOE NUMBER	
						MERITOR PRODUCTION	MERITOR AFTERMARKET
1308Q	MA210	XSMA210 1308Q	XK210 1308Q	KIT 8029	C1308	A-3222-F-1982	
1308Q	MA212	XSMA212 1308Q	XK212 1308Q	KIT 8029	C1308	A-3222-F-1982	
1308Q	MA310	XSMA310 1308Q	XK310 1308Q	KIT 8029	C1308	A-3222-F-1982	
1308Q	MA312	XSMA312 1308Q	XK312 1308Q	KIT 8029	C1308	A-3222-F-1982	
1308Q	R301	XSR301 1308Q	XK301 1308Q	KIT 8029	C1308	A-3222-F-1982	

15" x 4" Meritor Q Plus Front

							
FMSI/SHOE TYPE	MERITOR FRICTION MIX	REMAN BRAKE SHOE NUMBER	REMAN BRAKE SHOE KIT NUMBER	MINOR HARDWARE KIT NUMBER	EXCHANGE SHOE CORE NUMBER	NEW SHOE NUMBER	
						MERITOR PRODUCTION	MERITOR AFTERMARKET
4702QP	MA210	XSMA210 4702QP	XK210 4702QP	KIT 8824HD	C4702QP	A-3222-M-2223	
4702QP	MA212	XSMA212 4702QP	XK212 4702QP	KIT 8824HD	C4702QP	A-3222-M-2223	
4702QP	MA310	XSMA310 4702QP	XK310 4702QP	KIT 8824HD	C4702QP	A-3222-M-2223	
4702QP	MA312	XSMA312 4702QP	XK312 4702QP	KIT 8824HD	C4702QP	A-3222-M-2223	
4702QP	R301	XSR301 4702QP	XK301 4702QP	KIT 8824HD	C4702QP	A-3222-M-2223	

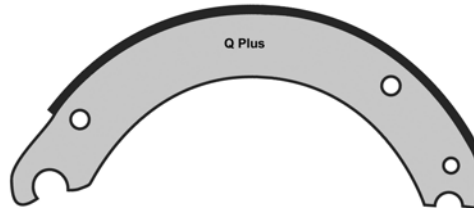
# REMANUFACTURED BRAKE SHOES & BRAKE SHOE KITS

15" x 4" Meritor T Front



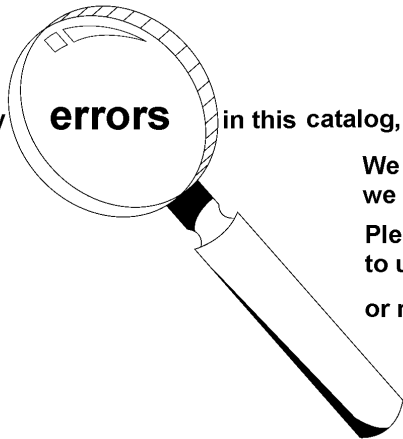
FMSI/SHOE TYPE	MERITOR FRICTION MIX	REMAN BRAKE SHOE NUMBER	REMAN BRAKE SHOE KIT NUMBER	MINOR HARDWARE KIT NUMBER	EXCHANGE SHOE CORE NUMBER	NEW SHOE NUMBER	
						MERITOR PRODUCTION	MERITOR AFTERMARKET
1308T	MA212	XSMA212 1308T	XK212 1308T	KIT 9094	C1308T	A-3222-F-1072	
1308T	R301	XSR301 1308T	XK301 1308T	KIT 9094	C1308T	A-3222-F-1072	

15" x 5" Meritor Q Plus Front



FMSI/SHOE TYPE	MERITOR FRICTION MIX	REMAN BRAKE SHOE NUMBER	REMAN BRAKE SHOE KIT NUMBER	MINOR HARDWARE KIT NUMBER	EXCHANGE SHOE CORE NUMBER	NEW SHOE NUMBER	
						MERITOR PRODUCTION	MERITOR AFTERMARKET
4703QP	MA212	XSMA212 4703QP	XK212 4703QP	KIT 8824HD	C4703QP	A-3222-D-2110	
4703QP	MA312	XSMA312 4703QP	XK312 4703QP	KIT 8824HD	C4703QP	A-3222-D-2110	
4703QP	R301	XSR301 4703QP	XK212 4703QP	KIT 8824HD	C4703QP	A-3222-D-2110	

If you detect any **errors** in this catalog, please let us know.



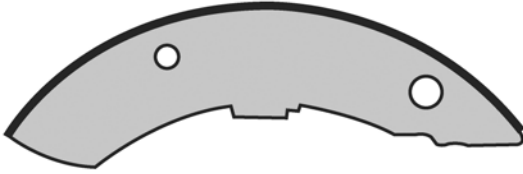
We want the information to be as accurate as possible; we appreciate your help in making it so.

Please e-mail any comments/suggestions/corrections to us at: [catalogfeedback@arvinmeritor.com](mailto:catalogfeedback@arvinmeritor.com)

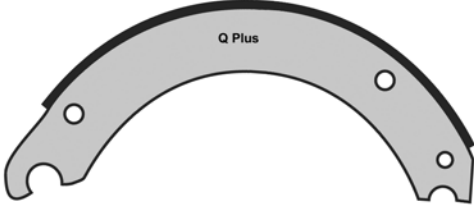
or mail to: ArvinMeritor  
attn: Catalog Dept.  
7975 Dixie Highway  
Florence, KY 41042

# REMANUFACTURED BRAKE SHOES & BRAKE SHOE KITS

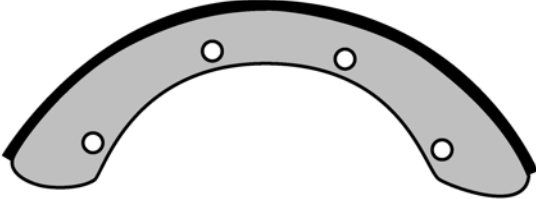
15" x 6" Meritor Lucas Hydraulic

							
FMSI/SHOE TYPE	MERITOR FRICTION MIX	REMAN BRAKE SHOE NUMBER	REMAN BRAKE SHOE KIT NUMBER	MINOR HARDWARE KIT NUMBER	EXCHANGE SHOE CORE NUMBER	NEW SHOE NUMBER	
						MERITOR PRODUCTION	MERITOR AFTERMARKET
4504	MA212	XSMA212 4504L		SP7896S , SP7897S	C4504	45 1004	

15" x 6" Meritor Q Plus Front

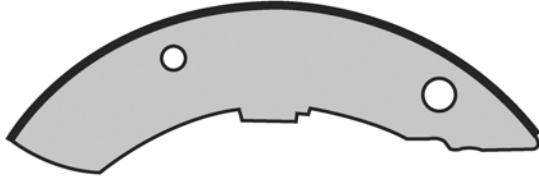
							
FMSI/SHOE TYPE	MERITOR FRICTION MIX	REMAN BRAKE SHOE NUMBER	REMAN BRAKE SHOE KIT NUMBER	MINOR HARDWARE KIT NUMBER	EXCHANGE SHOE CORE NUMBER	NEW SHOE NUMBER	
						MERITOR PRODUCTION	MERITOR AFTERMARKET
4704QP	MA212	XSMA212 4704QP	XK212 4704QP	KIT 8824HD	C4704QP	A-3222-E-2111	

15" x 6" Meritor Stopmaster Wedge

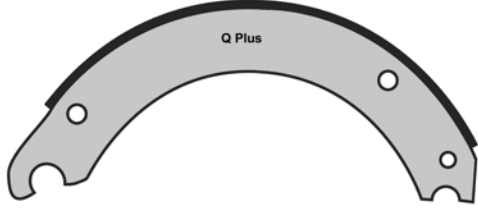
							
FMSI/SHOE TYPE	MERITOR FRICTION MIX	REMAN BRAKE SHOE NUMBER	REMAN BRAKE SHOE KIT NUMBER	MINOR HARDWARE KIT NUMBER	EXCHANGE SHOE CORE NUMBER	NEW SHOE NUMBER	
						MERITOR PRODUCTION	MERITOR AFTERMARKET
4605SM	MA212	XSMA212 4605SM			C4605R	A-3722-U-359	

# REMANUFACTURED BRAKE SHOES & BRAKE SHOE KITS

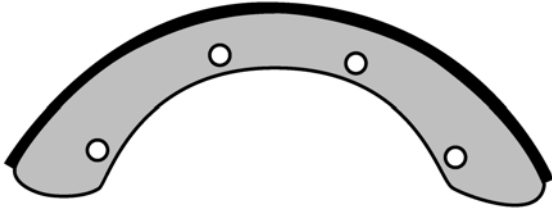
15" x 7" Meritor Lucas Hydraulic

							
FMSI/SHOE TYPE	MERITOR FRICTION MIX	REMAN BRAKE SHOE NUMBER	REMAN BRAKE SHOE KIT NUMBER	MINOR HARDWARE KIT NUMBER	EXCHANGE SHOE CORE NUMBER	NEW SHOE NUMBER	
						MERITOR PRODUCTION	MERITOR AFTERMARKET
4505	MA212	XSMA212 4505L		SP7896S , SP7897S	C4505	45 1005	

15" x 7" Meritor Q Plus Front

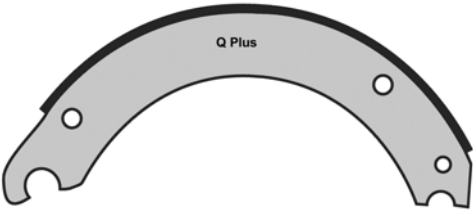
							
FMSI/SHOE TYPE	MERITOR FRICTION MIX	REMAN BRAKE SHOE NUMBER	REMAN BRAKE SHOE KIT NUMBER	MINOR HARDWARE KIT NUMBER	EXCHANGE SHOE CORE NUMBER	NEW SHOE NUMBER	
						MERITOR PRODUCTION	MERITOR AFTERMARKET
4705QP	MA212	XSMA212 4705QP		KIT 8824HD	C4705QP	A-3222-F-2112	

15" x 7" Meritor Stopmaster Wedge

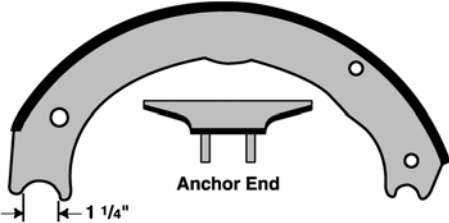
							
FMSI/SHOE TYPE	MERITOR FRICTION MIX	REMAN BRAKE SHOE NUMBER	REMAN BRAKE SHOE KIT NUMBER	MINOR HARDWARE KIT NUMBER	EXCHANGE SHOE CORE NUMBER	NEW SHOE NUMBER	
						MERITOR PRODUCTION	MERITOR AFTERMARKET
4602RD	MA310	XSMA310 4602RD		KIT 1162	C4602R	A-3222-S-2021	

# REMANUFACTURED BRAKE SHOES & BRAKE SHOE KITS

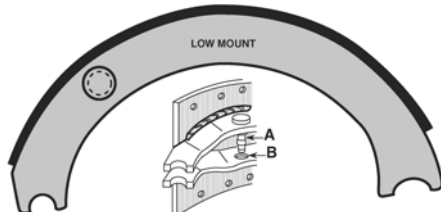
15" x 8-5/8" Meritor Q Plus Front

							NEW SHOE NUMBER	
FMSI/SHOE TYPE	MERITOR FRICTION MIX	REMAN BRAKE SHOE NUMBER	REMAN BRAKE SHOE KIT NUMBER	MINOR HARDWARE KIT NUMBER	EXCHANGE SHOE CORE NUMBER	MERITOR PRODUCTION	MERITOR AFTERMARKET	
4710QP	MA212	XSMA212 4710QP	XK212 4710QP	KIT 8824HD	C4710QP	A-3222-A-2159		
4710QP	MA312	XSMA312 4710QP	XK312 4710QP	KIT 8824HD	C4710QP	A-3222-A-2159		
4710QP	R301	XSR301 4710QP	XK301 4710QP	KIT 8824HD	C4710QP	A-3222-A-2159		

16-1/2" x 5" Eaton ES

							NEW SHOE NUMBER	
FMSI/SHOE TYPE	MERITOR FRICTION MIX	REMAN BRAKE SHOE NUMBER	REMAN BRAKE SHOE KIT NUMBER	MINOR HARDWARE KIT NUMBER	EXCHANGE SHOE CORE NUMBER	MERITOR PRODUCTION	MERITOR AFTERMARKET	
4719ES	MA212	XSMA212 4719ES	XK212 4719E	R507064	C4719		R700024	

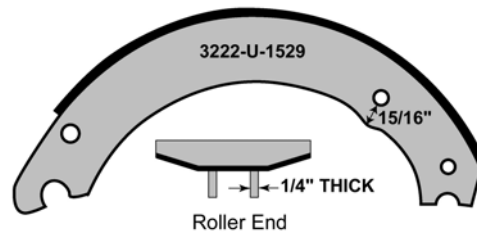
16-1/2" x 5" Eaton Low Mount

							NEW SHOE NUMBER	
FMSI/SHOE TYPE	MERITOR FRICTION MIX	REMAN BRAKE SHOE NUMBER	REMAN BRAKE SHOE KIT NUMBER	MINOR HARDWARE KIT NUMBER	EXCHANGE SHOE CORE NUMBER	MERITOR PRODUCTION	MERITOR AFTERMARKET	
4223E	MA212	XSMA212 4223E	XK212 4223E	R507002	C4223			



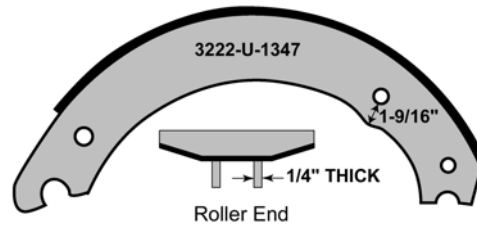
# REMANUFACTURED BRAKE SHOES & BRAKE SHOE KITS

16-1/2" x 5" Meritor Q for 1.68" Offset Spider with Relocated Retainer Spring Hole



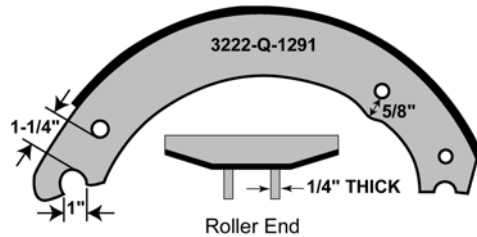
FMSI/SHOE TYPE	MERITOR FRICTION MIX	REMAN BRAKE SHOE NUMBER	REMAN BRAKE SHOE KIT NUMBER	MINOR HARDWARE KIT NUMBER	EXCHANGE SHOE CORE NUMBER	NEW SHOE NUMBER	
						MERITOR PRODUCTION	MERITOR AFTERMARKET
4524QA	R301	XSR301 4524QA		KIT 8028A	C4524QA	A-3222-G-1541	

16-1/2" x 5" Meritor Q with Relocated Return Spring Hole



FMSI/SHOE TYPE	MERITOR FRICTION MIX	REMAN BRAKE SHOE NUMBER	REMAN BRAKE SHOE KIT NUMBER	MINOR HARDWARE KIT NUMBER	EXCHANGE SHOE CORE NUMBER	NEW SHOE NUMBER	
						MERITOR PRODUCTION	MERITOR AFTERMARKET
4524QR	MA212	XSMA212 4524QR	XK212 4524QR	KIT 8081	C4524QR	A-3222-J-1440	
4524QR	MA310	XSMA310 4524QR	XK310 4524QR	KIT 8081	C4524QR	A-3222-J-1440	
4524QR	MA312	XSMA312 4524QR	XK312 4524QR	KIT 8081	C4524QR	A-3222-J-1440	
4524QR	R301	XSR301 4524QR	XK301 4524QR	KIT 8081	C4524QR	A-3222-J-1440	

16-1/2" x 5" Meritor Q



FMSI/SHOE TYPE	MERITOR FRICTION MIX	REMAN BRAKE SHOE NUMBER	REMAN BRAKE SHOE KIT NUMBER	MINOR HARDWARE KIT NUMBER	EXCHANGE SHOE CORE NUMBER	NEW SHOE NUMBER	
						MERITOR PRODUCTION	MERITOR AFTERMARKET
4524Q	MA212	XSMA212 4524Q	XK212 4524Q	KIT 8000	C4524Q	A-3222-E-1383	
4524Q	MA310	XSMA310 4524Q	XK310 4524Q	KIT 8000	C4524Q	A-3222-E-1383	
4524Q	MA312	XSMA312 4524Q	XK312 4524Q	KIT 8000	C4524Q	A-3222-E-1383	
4524Q	R301	XSR301 4524Q	XK301 4524Q	KIT 8000	C4524Q	A-3222-E-1383	

# REMANUFACTURED BRAKE SHOES & BRAKE SHOE KITS

## 16-1/2" x 5" Meritor Q Plus

FMSI/SHOE TYPE	MERITOR FRICTION MIX	REMAN BRAKE SHOE NUMBER	REMAN BRAKE SHOE KIT NUMBER	MINOR HARDWARE KIT NUMBER	EXCHANGE SHOE CORE NUMBER	NEW SHOE NUMBER	
						MERITOR PRODUCTION	MERITOR AFTERMARKET
4720QP	MA212	XSMA212 4720QP	XK212 4720QP	KIT 8081	C4720QP	A-3222-Z-2288	
4720QP	MA310	XSMA310 4720QP	XK310 4720QP	KIT 8081	C4720QP	A-3222-Z-2288	
4720QP	MA312	XSMA312 4720QP	XK312 4720QP	KIT 8081	C4720QP	A-3222-Z-2288	
4720QP	R301	XSR301 4720QP	XK301 4720QP	KIT 8081	C4720QP	A-3222-Z-2288	

## 16-1/2" x 6" Eaton ES

FMSI/SHOE TYPE	MERITOR FRICTION MIX	REMAN BRAKE SHOE NUMBER	REMAN BRAKE SHOE KIT NUMBER	MINOR HARDWARE KIT NUMBER	EXCHANGE SHOE CORE NUMBER	NEW SHOE NUMBER	
						MERITOR PRODUCTION	MERITOR AFTERMARKET
4725ES	MA212	XSMA212 4725ES	XK212 4725E <sup>5</sup>	R507094 <sup>5</sup>	C4725		R700025
			XK212 4725ER <sup>6</sup>	R507064 <sup>6</sup>			
4725ES	MA312	XSMA312 4725ES	XK312 4725E <sup>5</sup>	R507094 <sup>5</sup>	C4725		R700025

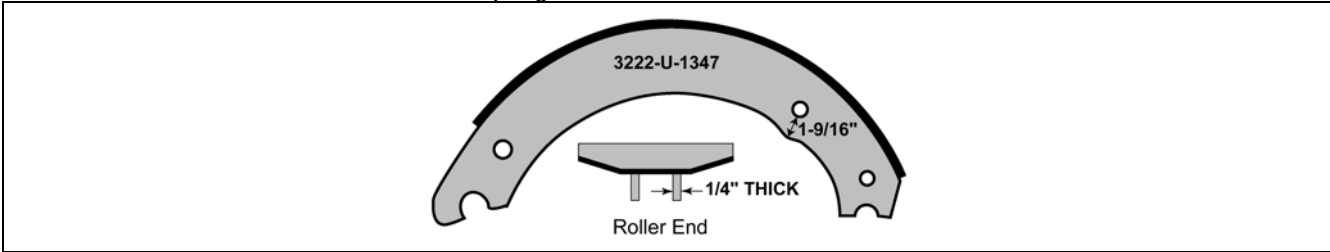
## 16-1/2" x 6" Eaton Low Mount

FMSI/SHOE TYPE	MERITOR FRICTION MIX	REMAN BRAKE SHOE NUMBER	REMAN BRAKE SHOE KIT NUMBER	MINOR HARDWARE KIT NUMBER	EXCHANGE SHOE CORE NUMBER	NEW SHOE NUMBER	
						MERITOR PRODUCTION	MERITOR AFTERMARKET
4317E	MA212	XSMA212 4317E	XK212 4317E	R507002	C4317		

5 Front Applications  
6 Rear Applications

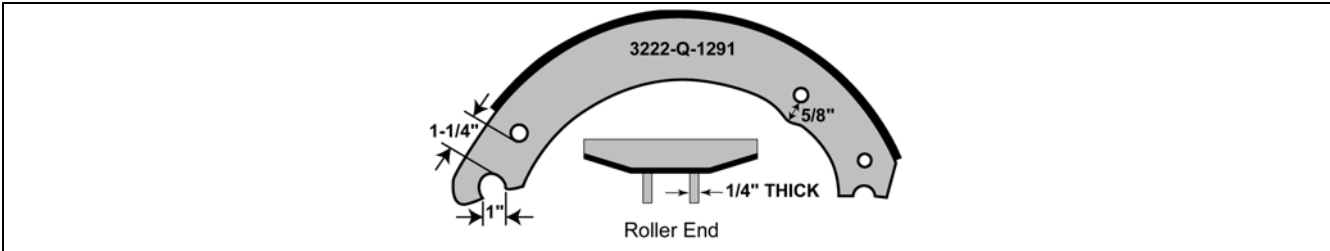
# REMANUFACTURED BRAKE SHOES & BRAKE SHOE KITS

16-1/2" x 6" Meritor Q with Relocated Return Spring Hole



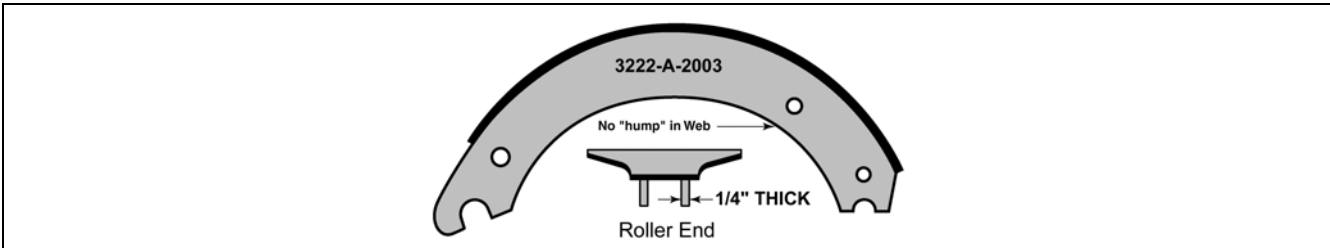
FMSI/SHOE TYPE	MERITOR FRICTION MIX	REMAN BRAKE SHOE NUMBER	REMAN BRAKE SHOE KIT NUMBER	MINOR HARDWARE KIT NUMBER	EXCHANGE SHOE CORE NUMBER	NEW SHOE NUMBER	
						MERITOR PRODUCTION	MERITOR AFTERMARKET
4514QR	MA212	XSMA212 4514QR	XK212 4514QR	KIT 8081	C4514QR	A-3222-V-1348	
4514QR	MA310	XSMA310 4514QR	XK310 4514QR	KIT 8081	C4514QR	A-3222-V-1348	
4514QR	R301	XSR301 4514QR	XK301 4514QR	KIT 8081	C4514QR	A-3222-V-1348	

16-1/2" x 6" Meritor Q



FMSI/SHOE TYPE	MERITOR FRICTION MIX	REMAN BRAKE SHOE NUMBER	REMAN BRAKE SHOE KIT NUMBER	MINOR HARDWARE KIT NUMBER	EXCHANGE SHOE CORE NUMBER	NEW SHOE NUMBER	
						MERITOR PRODUCTION	MERITOR AFTERMARKET
4514Q	MA212	XSMA212 4514Q	XK212 4514Q	KIT 8000	C4514Q	A-3222-C-1381	
4514Q	MA310	XSMA310 4514Q	XK310 4514Q	KIT 8000	C4514Q	A-3222-C-1381	
4514Q	MA312	XSMA312 4514Q	XK312 4514Q	KIT 8000	C4514Q	A-3222-C-1381	
4514Q	R301	XSR301 4514Q	XK301 4514Q	KIT 8000	C4514Q	A-3222-C-1381	
4514Q	R403	XSR403 4514Q	XK403 4514Q	KIT 8000	C4514Q	A-3222-C-1381	

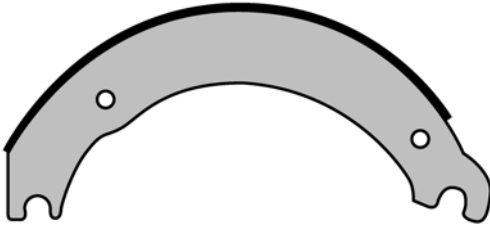
16-1/2" x 6" Meritor Q Plus



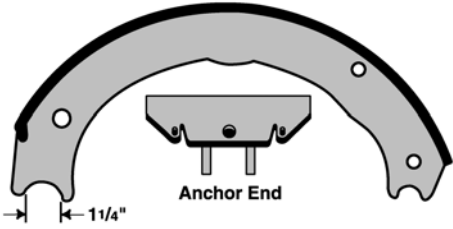
FMSI/SHOE TYPE	MERITOR FRICTION MIX	REMAN BRAKE SHOE NUMBER	REMAN BRAKE SHOE KIT NUMBER	MINOR HARDWARE KIT NUMBER	EXCHANGE SHOE CORE NUMBER	NEW SHOE NUMBER	
						MERITOR PRODUCTION	MERITOR AFTERMARKET
4715QP	MA212	XSMA212 4715QP	XK212 4715QP	KIT 8081	C4715QP	A-3222-P-2200	
4715QP	MA310	XSMA310 4715QP	XK310 4715QP	KIT 8081	C4715QP	A-3222-P-2200	
4715QP	MA312	XSMA312 4715QP	XK312 4715QP	KIT 8081	C4715QP	A-3222-P-2200	
4715QP	R301	XSR301 4715QP	XK301 4715QP	KIT 8081	C4715QP	A-3222-P-2200	
4715QP	R403	XSR403 4715QP	XK403 4715QP	KIT 8081	C4715QP	A-3222-P-2200	

# REMANUFACTURED BRAKE SHOES & BRAKE SHOE KITS

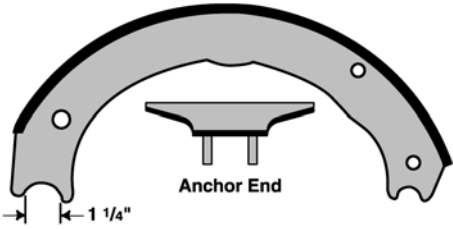
16-1/2" x 7" Bendix

							
FMSI/SHOE TYPE	MERITOR FRICTION MIX	REMAN BRAKE SHOE NUMBER	REMAN BRAKE SHOE KIT NUMBER	MINOR HARDWARE KIT NUMBER	EXCHANGE SHOE CORE NUMBER	NEW SHOE NUMBER	
						MERITOR PRODUCTION	MERITOR AFTERMARKET
4515B	R301	XSR301 4515B	XK301 4515B	R507082	C4515B		R700014

16-1/2" x 7" Eaton ES I

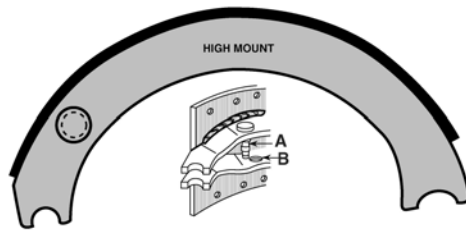
							
FMSI/SHOE TYPE	MERITOR FRICTION MIX	REMAN BRAKE SHOE NUMBER	REMAN BRAKE SHOE KIT NUMBER	MINOR HARDWARE KIT NUMBER	EXCHANGE SHOE CORE NUMBER	NEW SHOE NUMBER	
						MERITOR PRODUCTION	MERITOR AFTERMARKET
4709E1	MA210	XSMA210 4709E1	XK210 4709E1	R507057	C4709		R4709
4709E1	MA212	XSMA212 4709E1	XK212 4709E1	R507057	C4709		R4709
4709E1	MA310	XSMA310 4709E1	XK310 4709E1	R507057	C4709		R4709
4709E1	MA312	XSMA312 4709E1	XK312 4709E1	R507057	C4709		R4709
4709E1	R301	XSR301 4709E1	XK301 4709E1	R507057	C4709		R4709

16-1/2" x 7" Eaton ES II

							
FMSI/SHOE TYPE	MERITOR FRICTION MIX	REMAN BRAKE SHOE NUMBER	REMAN BRAKE SHOE KIT NUMBER	MINOR HARDWARE KIT NUMBER	EXCHANGE SHOE CORE NUMBER	NEW SHOE NUMBER	
						MERITOR PRODUCTION	MERITOR AFTERMARKET
4709E2	MA210	XSMA210 4709E2	XK210 4709E2	R507064	C4709G2		R4709G2
4709E2	MA212	XSMA212 4709E2	XK212 4709E2	R507064	C4709G2		R4709G2
4709E2	MA310	XSMA310 4709E2	XK310 4709E2	R507064	C4709G2		R4709G2
4709E2	MA312	XSMA312 4709E2	XK312 4709E2	R507064	C4709G2		R4709G2
4709E2	R301	XSR301 4709E2	XK301 4709E2	R507064	C4709G2		R4709G2

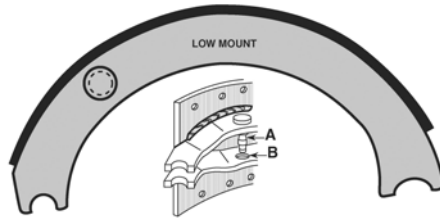
# REMANUFACTURED BRAKE SHOES & BRAKE SHOE KITS

## 16-1/2" x 7" Eaton High Mount



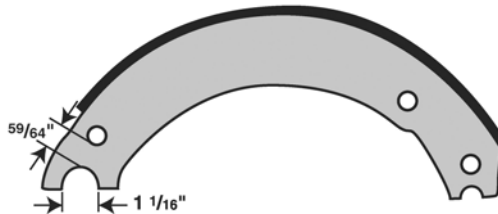
FMSI/SHOE TYPE	MERITOR FRICTION MIX	REMAN BRAKE SHOE NUMBER	REMAN BRAKE SHOE KIT NUMBER	MINOR HARDWARE KIT NUMBER	EXCHANGE SHOE CORE NUMBER	NEW SHOE NUMBER	
						MERITOR PRODUCTION	MERITOR AFTERMARKET
4311EH	R301	XSR301 4311EH	XK301 4311EH	R507077	C4311H		R4311

## 16-1/2" x 7" Eaton Low Mount



FMSI/SHOE TYPE	MERITOR FRICTION MIX	REMAN BRAKE SHOE NUMBER	REMAN BRAKE SHOE KIT NUMBER	MINOR HARDWARE KIT NUMBER	EXCHANGE SHOE CORE NUMBER	NEW SHOE NUMBER	
						MERITOR PRODUCTION	MERITOR AFTERMARKET
4311E	MA210	XSMA210 4311E	XK210 4311E	R507002	C4311		R4311
4311E	MA212	XSMA212 4311E	XK212 4311E	R507002	C4311		R4311
4311E	MA310	XSMA310 4311E	XK310 4311E	R507002	C4311		R4311
4311E	MA312	XSMA312 4311E	XK312 4311E	R507002	C4311		R4311
4311E	R301	XSR301 4311E	XK301 4311E	R507002	C4311		R4311

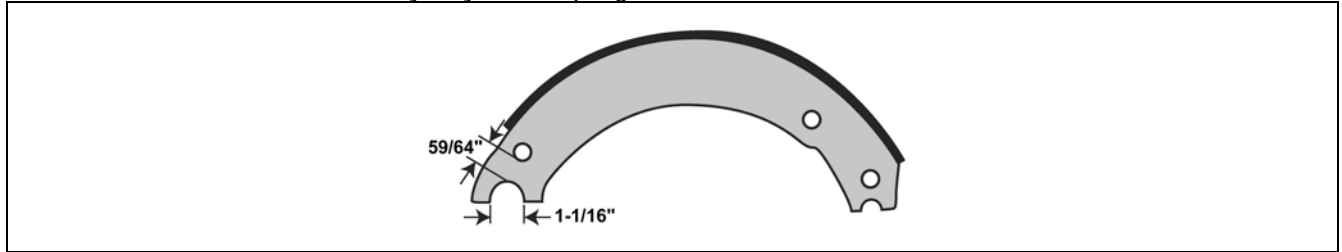
## 16-1/2" x 7" Fruehauf XEM3 with Standard Return Spring



FMSI/SHOE TYPE	MERITOR FRICTION MIX	REMAN BRAKE SHOE NUMBER	REMAN BRAKE SHOE KIT NUMBER	MINOR HARDWARE KIT NUMBER	EXCHANGE SHOE CORE NUMBER	NEW SHOE NUMBER	
						MERITOR PRODUCTION	MERITOR AFTERMARKET
4515F3	MA210	XSMA210 4515F3	XK210 4515F3	R507008	C4515F3		R4515F3
4515F3	MA212	XSMA212 4515F3	XK212 4515F3	R507008	C4515F3		R4515F3
4515F3	MA310	XSMA310 4515F3	XK310 4515F3	R507008	C4515F3		R4515F3
4515F3	MA312	XSMA312 4515F3	XK312 4515F3	R507008	C4515F3		R4515F3
4515F3	R301	XSR301 4515F3	XK301 4515F3	R507008	C4515F3		R4515F3

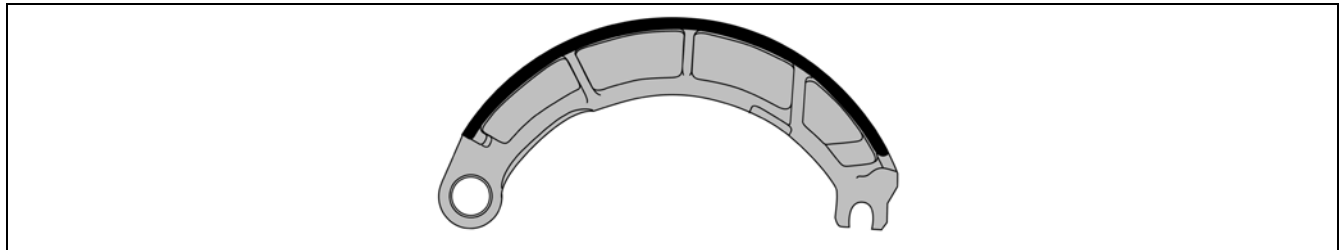
# REMANUFACTURED BRAKE SHOES & BRAKE SHOE KITS

16-1/2" x 7" Fruehauf XEM3 with Heavy Duty Return Spring



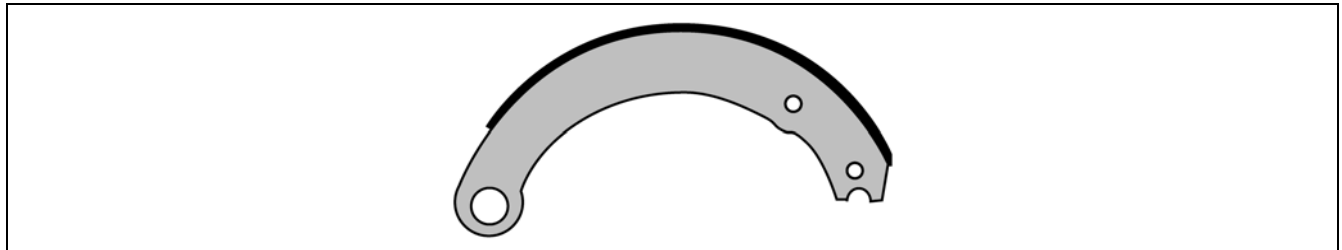
FMSI/SHOE TYPE	MERITOR FRICTION MIX	REMAN BRAKE SHOE NUMBER	REMAN BRAKE SHOE KIT NUMBER	MINOR HARDWARE KIT NUMBER	EXCHANGE SHOE CORE NUMBER	NEW SHOE NUMBER	
						MERITOR PRODUCTION	MERITOR AFTERMARKET
4515F3	MA212	XSMA212 4515F3	XK212 4515F3HD	R507010	C4515F3		R4515F3
4515F3	MA310	XSMA310 4515F3	XK310 4515F3HD	R507010	C4515F3		R4515F3

16-1/2" x 7" Meritor P Cast



FMSI/SHOE TYPE	MERITOR FRICTION MIX	REMAN BRAKE SHOE NUMBER	REMAN BRAKE SHOE KIT NUMBER	MINOR HARDWARE KIT NUMBER	EXCHANGE SHOE CORE NUMBER	NEW SHOE NUMBER	
						MERITOR PRODUCTION	MERITOR AFTERMARKET
4515PC	R403	XSR403 4515PC	XK403 4515PC	KIT 9081		A-3222-D-1954	

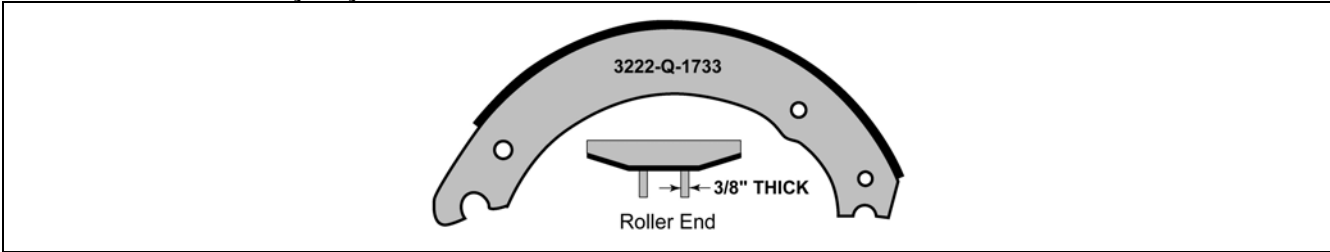
16-1/2" x 7" Meritor P



FMSI/SHOE TYPE	MERITOR FRICTION MIX	REMAN BRAKE SHOE NUMBER	REMAN BRAKE SHOE KIT NUMBER	MINOR HARDWARE KIT NUMBER	EXCHANGE SHOE CORE NUMBER	NEW SHOE NUMBER	
						MERITOR PRODUCTION	MERITOR AFTERMARKET
4515P	MA212	XSMA212 4515P	XK212 4515P	KIT 9000	C4515P	A-3722-N-66	
4515P	MA310	XSMA310 4515P	XK310 4515P	KIT 9000	C4515P	A-3722-N-66	
4515P	MA312	XSMA312 4515P	XK312 4515P	KIT 9000	C4515P	A-3722-N-66	
4515P	R301	XSR301 4515P	XK301 4515P	KIT 9000	C4515P	A-3722-N-66	

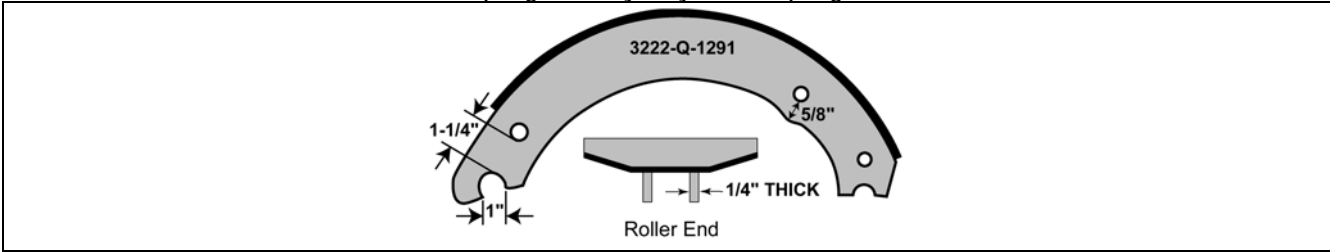
# REMANUFACTURED BRAKE SHOES & BRAKE SHOE KITS

16-1/2" x 7" Meritor Q Heavy Duty



FMSI/SHOE TYPE	MERITOR FRICTION MIX	REMAN BRAKE SHOE NUMBER	REMAN BRAKE SHOE KIT NUMBER	MINOR HARDWARE KIT NUMBER	EXCHANGE SHOE CORE NUMBER	NEW SHOE NUMBER	
						MERITOR PRODUCTION	MERITOR AFTERMARKET
4515QM	R403	XSR403 4515QM	XK403 4515M	KIT 8026HD	C4515H	A-3222-S-1735	

16-1/2" x 7" Meritor Q with Standard Return Spring or Heavy Duty Return Spring



FMSI/SHOE TYPE	MERITOR FRICTION MIX	REMAN BRAKE SHOE NUMBER	REMAN BRAKE SHOE KIT NUMBER	MINOR HARDWARE KIT NUMBER	EXCHANGE SHOE CORE NUMBER	NEW SHOE NUMBER	
						MERITOR PRODUCTION	MERITOR AFTERMARKET
4515Q	MA210	XSMA210 4515Q	XK210 4515Q <sup>3</sup> XK210 4515QHD <sup>4</sup>	KIT 8000 <sup>3</sup> KIT 8000HD <sup>4</sup>	C4515Q	A91-3222-S-1293	
4515Q	MA212	XSMA212 4515Q	XK212 4515Q <sup>3</sup> XK212 4515QHD <sup>4</sup>	KIT 8000 <sup>3</sup> KIT 8000HD <sup>4</sup>	C4515Q	A91-3222-S-1293	
4515Q	MA310	XSMA310 4515Q	XK310 4515Q <sup>3</sup> XK310 4515QHD <sup>4</sup>	KIT 8000 <sup>3</sup> KIT 8000HD <sup>4</sup>	C4515Q	A91-3222-S-1293	
4515Q	MA312	XSMA312 4515Q	XK312 4515Q <sup>3</sup> XK312 4515QHD <sup>4</sup>	KIT 8000 <sup>3</sup> KIT 8000HD <sup>4</sup>	C4515Q	A91-3222-S-1293	
4515Q	R301	XSR301 4515Q	XK301 4515Q <sup>3</sup> XK301 4515QHD <sup>4</sup>	KIT 8000 <sup>3</sup> KIT 8000HD <sup>4</sup>	C4515Q	A91-3222-S-1293	
4515Q	R403	XSR403 4515Q	XK403 4515Q <sup>3</sup> XK403 4515QHD <sup>4</sup>	KIT 8000 <sup>3</sup> KIT 8000HD <sup>4</sup>	C4515Q	A91-3222-S-1293	



**MERITOR**<sup>™</sup>  
an **ArvinMeritor** brand

<sup>3</sup> With Standard Return Spring  
<sup>4</sup> With Heavy Duty Return Spring

# REMANUFACTURED BRAKE SHOES & BRAKE SHOE KITS

16-1/2" x 7" Meritor Q Plus Heavy Duty

FMSI/SHOE TYPE	MERITOR FRICTION MIX	REMAN BRAKE SHOE NUMBER	REMAN BRAKE SHOE KIT NUMBER	MINOR HARDWARE KIT NUMBER	EXCHANGE SHOE CORE NUMBER	NEW SHOE NUMBER	
						MERITOR PRODUCTION	MERITOR AFTERMARKET
4707QPM	MA310	XSMA310 4707QPM	XK310 4707QPM	KIT 8844HD	C4707QPM	A-3222-X-2208	
4707QPM	R301	XSR301 4707QPM	XK301 4707QPM	KIT 8844HD	C4707QPM	A-3222-X-2208	
4707QPM	R403	XSR403 4707QPM	XK403 4707QPM	KIT 8844HD	C4707QPM	A-3222-X-2208	

16-1/2" x 7" Meritor Q Plus

FMSI/SHOE TYPE	MERITOR FRICTION MIX	REMAN BRAKE SHOE NUMBER	REMAN BRAKE SHOE KIT NUMBER	MINOR HARDWARE KIT NUMBER	EXCHANGE SHOE CORE NUMBER	NEW SHOE NUMBER	
						MERITOR PRODUCTION	MERITOR AFTERMARKET
4707QP	MA210	XSMA210 4707QP	XK210 4707QP	KIT 8000HD	C4707QP	A19-3222-D-2006	
4707QP	MA212	XSMA212 4707QP	XK212 4707QP	KIT 8000HD	C4707QP	A19-3222-D-2006	
4707QP	MA310	XSMA310 4707QP	XK310 4707QP	KIT 8000HD	C4707QP	A19-3222-D-2006	
4707QP	MA312	XSMA312 4707QP	XK312 4707QP	KIT 8000HD	C4707QP	A19-3222-D-2006	
4707QP	R301	XSR301 4707QP	XK301 4707QP	KIT 8000HD	C4707QP	A19-3222-D-2006	
4707QP	R403	XSR403 4707QP	XK403 4707QP	KIT 8000HD	C4707QP	A19-3222-D-2006	

16-1/2" x 7" Spicer XL

FMSI/SHOE TYPE	MERITOR FRICTION MIX	REMAN BRAKE SHOE NUMBER	REMAN BRAKE SHOE KIT NUMBER	MINOR HARDWARE KIT NUMBER	EXCHANGE SHOE CORE NUMBER	NEW SHOE NUMBER	
						MERITOR PRODUCTION	MERITOR AFTERMARKET
4701	MA212	XSMA212 4701D <sup>7</sup>	XK212 4701D <sup>7</sup>	R507063	C4701		
4701	MA212	XSMA212 4701STD <sup>8</sup>	XK212 4701STD <sup>8</sup>	MKT 4515Q	C4701		

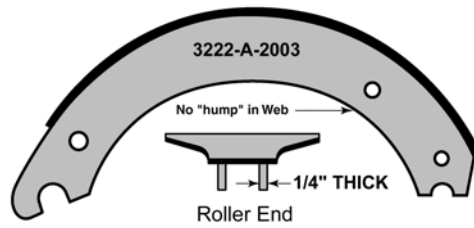
<sup>7</sup> Spicer 4701 core lined with Spicer "XL" lining.

<sup>8</sup> Spicer 4701 core lined with standard 4515 lining.



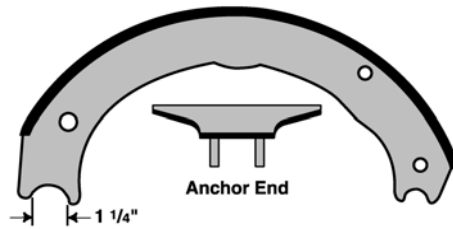
# REMANUFACTURED BRAKE SHOES & BRAKE SHOE KITS

16-1/2" x 8" Meritor Q Plus



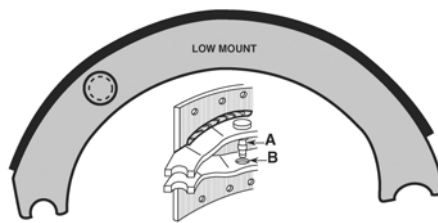
FMSI/SHOE TYPE	MERITOR FRICTION MIX	REMAN BRAKE SHOE NUMBER	REMAN BRAKE SHOE KIT NUMBER	MINOR HARDWARE KIT NUMBER	EXCHANGE SHOE CORE NUMBER	NEW SHOE NUMBER	
						MERITOR PRODUCTION	MERITOR AFTERMARKET
4718QP	MA210	XSMA210 4718QP	XK210 4718QP	KIT 8000HD	C4718QP	A-3222-J-2272	
4718QP	MA212	XSMA212 4718QP	XK212 4718QP	KIT 8000HD	C4718QP	A-3222-J-2272	
4718QP	MA310	XSMA310 4718QP	XK310 4718QP	KIT 8000HD	C4718QP	A-3222-J-2272	
4718QP	MA312	XSMA312 4718QP	XK312 4718QP	KIT 8000HD	C4718QP	A-3222-J-2272	
4718QP	R301	XSR301 4718QP	XK301 4718QP	KIT 8000HD	C4718QP	A-3222-J-2272	

16-1/2" x 8-5/8" Eaton ES



FMSI/SHOE TYPE	MERITOR FRICTION MIX	REMAN BRAKE SHOE NUMBER	REMAN BRAKE SHOE KIT NUMBER	MINOR HARDWARE KIT NUMBER	EXCHANGE SHOE CORE NUMBER	NEW SHOE NUMBER	
						MERITOR PRODUCTION	MERITOR AFTERMARKET
4726ES	MA212	XSMA212 4726ES	XK212 4726E	R507064	C4726		R700026
4726ES	MA312	XSMA312 4726ES	XK312 4726E	R507064	C4726		R700026

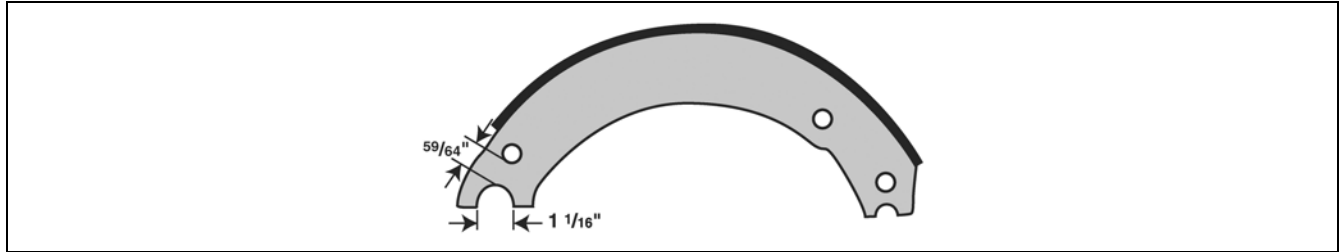
16-1/2" x 8-5/8" Eaton



FMSI/SHOE TYPE	MERITOR FRICTION MIX	REMAN BRAKE SHOE NUMBER	REMAN BRAKE SHOE KIT NUMBER	MINOR HARDWARE KIT NUMBER	EXCHANGE SHOE CORE NUMBER	NEW SHOE NUMBER	
						MERITOR PRODUCTION	MERITOR AFTERMARKET
4674E	MA212	XSMA212 4674E	XK212 4674E	R507002	C4674		R700021

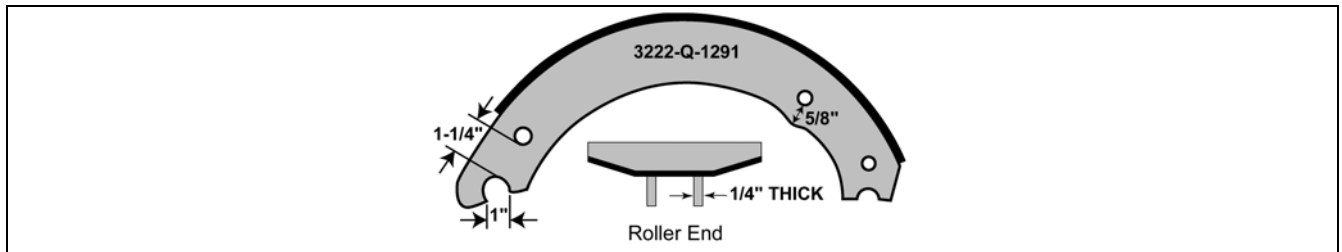
# REMANUFACTURED BRAKE SHOES & BRAKE SHOE KITS

16-1/2" x 8-5/8" Fruehauf XEM3 Offset



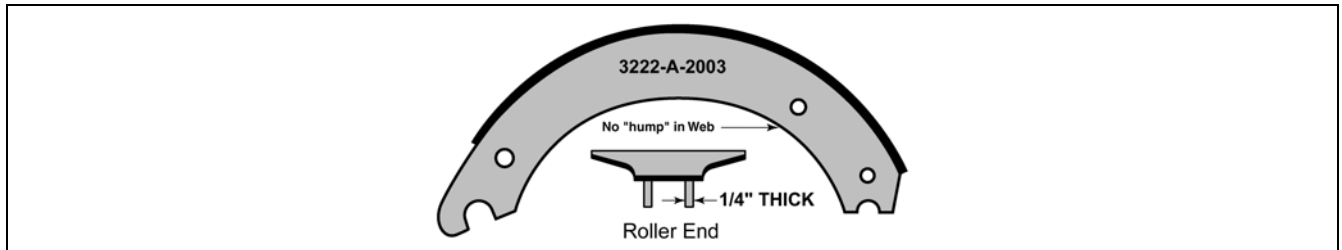
FMSI/SHOE TYPE	MERITOR FRICTION MIX	REMAN BRAKE SHOE NUMBER	REMAN BRAKE SHOE KIT NUMBER	MINOR HARDWARE KIT NUMBER	EXCHANGE SHOE CORE NUMBER	NEW SHOE NUMBER	
						MERITOR PRODUCTION	MERITOR AFTERMARKET
4551F3R	MA212	XSMA212 4551F3R <sup>1</sup>	XK212 4551F3 <sup>2</sup>	R507010	C4551F3R		R704551
4551F3L	MA212	XSMA212 4551F3L <sup>1</sup>	XK212 4551F3 <sup>2</sup>	R507010	C4551F3L		R704552

16-1/2" x 8-5/8" Meritor Q



FMSI/SHOE TYPE	MERITOR FRICTION MIX	REMAN BRAKE SHOE NUMBER	REMAN BRAKE SHOE KIT NUMBER	MINOR HARDWARE KIT NUMBER	EXCHANGE SHOE CORE NUMBER	NEW SHOE NUMBER	
						MERITOR PRODUCTION	MERITOR AFTERMARKET
4551Q	MA212	XSMA212 4551Q	XK212 4551Q	KIT 8000HD	C4551Q	A-3222-T-1346	
4551Q	MA310	XSMA310 4551Q	XK310 4551Q	KIT 8000HD	C4551Q	A-3222-T-1346	
4551Q	MA312	XSMA312 4551Q	XK312 4551Q	KIT 8000HD	C4551Q	A-3222-T-1346	
4551Q	R301	XSR301 4551Q	XK301 4551Q	KIT 8000HD	C4551Q	A-3222-T-1346	

16-1/2" x 8-5/8" Meritor Q Plus

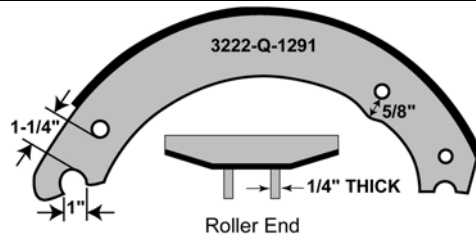


FMSI/SHOE TYPE	MERITOR FRICTION MIX	REMAN BRAKE SHOE NUMBER	REMAN BRAKE SHOE KIT NUMBER	MINOR HARDWARE KIT NUMBER	EXCHANGE SHOE CORE NUMBER	NEW SHOE NUMBER	
						MERITOR PRODUCTION	MERITOR AFTERMARKET
4711QP	MA212	XSMA212 4711QP	XK212 4711QP	KIT 8000HD	C4711QP	A-3222-K-2169	
4711QP	MA312	XSMA312 4711QP	XK312 4711QP	KIT 8000HD	C4711QP	A-3222-K-2169	
4711QP	R301	XSR301 4711QP	XK301 4711QP	KIT 8000HD	C4711QP	A-3222-K-2169	

<sup>1</sup> Shoe available in kit only  
<sup>2</sup> Kit contains 1 LH offset and 1 RH offset shoe

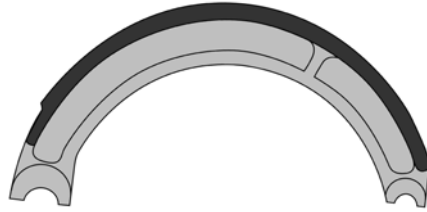
# REMANUFACTURED BRAKE SHOES & BRAKE SHOE KITS

16-1/2" x 10" Meritor Q



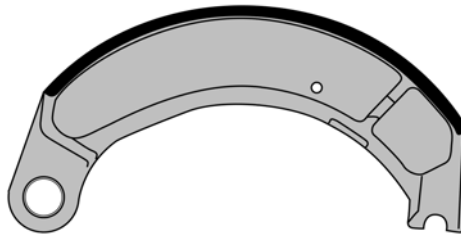
FMSI/SHOE TYPE	MERITOR FRICTION MIX	REMAN BRAKE SHOE NUMBER	REMAN BRAKE SHOE KIT NUMBER	MINOR HARDWARE KIT NUMBER	EXCHANGE SHOE CORE NUMBER	NEW SHOE NUMBER	
						MERITOR PRODUCTION	MERITOR AFTERMARKET
4552Q	MA212	XSMA212 4552Q	XK212 4552Q	KIT 8000HD	C4552Q	A-3222-D-1356	

18" x 7" Eaton Cast



FMSI/SHOE TYPE	MERITOR FRICTION MIX	REMAN BRAKE SHOE NUMBER	REMAN BRAKE SHOE KIT NUMBER	MINOR HARDWARE KIT NUMBER	EXCHANGE SHOE CORE NUMBER	NEW SHOE NUMBER	
						MERITOR PRODUCTION	MERITOR AFTERMARKET
4527EC	R403	XSR403 4527EC		R507072			R70009

18" x 7" Meritor P Cast



FMSI/SHOE TYPE	MERITOR FRICTION MIX	REMAN BRAKE SHOE NUMBER	REMAN BRAKE SHOE KIT NUMBER	MINOR HARDWARE KIT NUMBER	EXCHANGE SHOE CORE NUMBER	NEW SHOE NUMBER	
						MERITOR PRODUCTION	MERITOR AFTERMARKET
4471RC	R301	XSR301 4471RC		KIT 9179		A1-3222-B-1952	
4471RC	R403	XSR403 4471RC		KIT 9179		A1-3222-B-1952	

## NUMERICAL PARTS LISTING

PART NUMBER	PAGE	PART NUMBER	PAGE	PART NUMBER	PAGE
KSMA210 1308E	12	KSMA310 4515Q	20	KSR301 4707QP	21
KSMA210 1308Q	12	KSMA310 4524Q	16	KSR301 4707QPM	21
KSMA210 1308T	13	KSMA310 4524QR	16	KSR301 4709E1	18
KSMA210 4311E	19	KSMA310 4551Q	22	KSR301 4709E2	18
KSMA210 4515F3	19	KSMA310 4702QP	12	KSR301 4710QP	15
KSMA210 4515P	20	KSMA310 4707QP	21	KSR301 4711QP	23
KSMA210 4515Q	20	KSMA310 4707QPM	21	KSR301 4715QP	18
KSMA210 4524Q	16	KSMA310 4709E1	18	KSR301 4718QP	22
KSMA210 4524QR	16	KSMA310 4709E2	18	KSR301 4720QP	17
KSMA210 4551Q	22	KSMA310 4715QP	18	KSR403 4514Q	17
KSMA210 4702QP	12	KSMA310 4718QP	22	KSR403 4514QR	17
KSMA210 4707QP	21	KSMA310 4720QP	17	KSR403 4515P	20
KSMA210 4709E1	18	KSMA312 1308E	12	KSR403 4515PC	19
KSMA210 4709E2	18	KSMA312 1308Q	12	KSR403 4515Q	20
KSMA210 4711QP	23	KSMA312 1443E	11	KSR403 4515QM	20
KSMA210 4715QP	18	KSMA312 4311E	19	KSR403 4524Q	16
KSMA210 4718QP	22	KSMA312 4514Q	17	KSR403 4524QR	16
KSMA212 1307T	11	KSMA312 4514QR	17	KSR403 4551Q	22
KSMA212 1308E	12	KSMA312 4515F3	19	KSR403 4602RD	15
KSMA212 1308Q	12	KSMA312 4515P	20	KSR403 4703QP	13
KSMA212 1308T	13	KSMA312 4515Q	20	KSR403 4707QP	21
KSMA212 1443E	11	KSMA312 4524Q	16	KSR403 4707QPM	21
KSMA212 4311E	19	KSMA312 4524QR	16	KSR403 4711QP	23
KSMA212 4514Q	17	KSMA312 4702QP	12	KSR403 4715QP	18
KSMA212 4514QR	17	KSMA312 4703QP	13	KSR403 4720QP	17
KSMA212 4515F3	19	KSMA312 4707QP	21	PKSMA210 4515P	20
KSMA212 4515P	20	KSMA312 4709E1	18	PKSMA210 4515Q	21
KSMA212 4515Q	20	KSMA312 4709E2	18	PKSMA210 4707QP	22
KSMA212 4524Q	16	KSMA312 4710QP	15	PKSMA212 4515P	20
KSMA212 4524QR	16	KSMA312 4711QP	23	PKSMA212 4515Q	21
KSMA212 4528	13	KSMA312 4715QP	18	PKSMA212 4707QP	22
KSMA212 4551Q	22	KSMA312 4718QP	22	PKSMA310 4515P	20
KSMA212 4702QP	12	KSMA312 4720QP	17	PKSMA310 4515Q	21
KSMA212 4703QP	13	KSR301 1307T	11	PKSMA310 4707QP	22
KSMA212 4704QP	14	KSR301 1308E	12	PKSMA312 4515Q	21
KSMA212 4705QP	15	KSR301 1308Q	12	PKSMA312 4515P	20
KSMA212 4707QP	21	KSR301 1308T	13	PKSMA312 4707QP	22
KSMA212 4709E1	18	KSR301 4311E	19	PKSR301 4515P	20
KSMA212 4709E2	18	KSR301 4514Q	17	PKSR301 4515Q	21
KSMA212 4710QP	15	KSR301 4514QR	17	PKSR301 4707QP	22
KSMA212 4711QP	23	KSR301 4515F3	19	PSMA210 4515P	20
KSMA212 4715QP	18	KSR301 4515P	20	PSMA210 4515Q	21
KSMA212 4718QP	22	KSR301 4515Q	20	PSMA210 4707QP	22
KSMA212 4720QP	17	KSR301 4524Q	16	PSMA212 4515P	20
KSMA310 1308E	12	KSR301 4524QA	16	PSMA212 4515Q	21
KSMA310 1308Q	12	KSR301 4524QR	16	PSMA212 4707QP	22
KSMA310 1308T	13	KSR301 4551Q	22	PSMA310 4515P	20
KSMA310 4311E	19	KSR301 4670Q	11	PSMA310 4515Q	21
KSMA310 4514Q	17	KSR301 4702QP	12	PSMA310 4707QP	22
KSMA310 4514QR	17	KSR301 4703QP	13	PSMA312 4515P	20
KSMA310 4515F3	19	KSR301 4704QP	14	PSMA312 4515Q	21
KSMA310 4515P	20	KSR301 4705QP	15	PSMA312 4707QP	22

## NUMERICAL PARTS LISTING

PART NUMBER	PAGE	PART NUMBER	PAGE	PART NUMBER	PAGE
PSR301 4515P	20	SMA310 4311E	19	SR301 4551Q	22
PSR301 4515Q	21	SMA310 4514Q	17	SR301 4670Q	11
PSR301 4707QP	22	SMA310 4514QR	17	SR301 4702QP	12
SMA210 1308E	12	SMA310 4515F3	19	SR301 4703QP	13
SMA210 1308Q	12	SMA310 4515P	20	SR301 4704QP	14
SMA210 1308T	13	SMA310 4515Q	20	SR301 4705QP	15
SMA210 4311E	19	SMA310 4524Q	16	SR301 4707QP	21
SMA210 4515F3	19	SMA310 4524QR	16	SR301 4707QPM	21
SMA210 4515P	20	SMA310 4551Q	22	SR301 4709E1	18
SMA210 4515Q	20	SMA310 4702QP	12	SR301 4709E2	18
SMA210 4524Q	16	SMA310 4707QP	21	SR301 4710QP	15
SMA210 4524QR	16	SMA310 4707QPM	21	SR301 4711QP	23
SMA210 4551Q	22	SMA310 4709E1	18	SR301 4715QP	18
SMA210 4702QP	12	SMA310 4709E2	18	SR301 4718QP	22
SMA210 4707QP	21	SMA310 4715QP	18	SR301 4720QP	17
SMA210 4709E1	18	SMA310 4718QP	22	SR403 4514Q	17
SMA210 4709E2	18	SMA310 4720QP	17	SR403 4514QR	17
SMA210 4711QP	23	SMA312 1308E	12	SR403 4515P	20
SMA210 4715QP	18	SMA312 1308Q	12	SR403 4515PC	19
SMA210 4718QP	22	SMA312 1443E	11	SR403 4515Q	20
SMA212 1307T	11	SMA312 4311E	19	SR403 4515QM	20
SMA212 1308E	12	SMA312 4514Q	17	SR403 4524Q	16
SMA212 1308Q	12	SMA312 4514QR	17	SR403 4524QR	16
SMA212 1308T	13	SMA312 4515F3	19	SR403 4551Q	22
SMA212 1443E	11	SMA312 4515P	20	SR403 4602RD	15
SMA212 4311E	19	SMA312 4515Q	20	SR403 4703QP	13
SMA212 4504	14	SMA312 4524Q	16	SR403 4707QP	21
SMA212 4505	14	SMA312 4524QR	16	SR403 4707QPM	21
SMA212 4514Q	17	SMA312 4670Q	11	SR403 4711QP	23
SMA212 4514QR	17	SMA312 4702QP	12	SR403 4715QP	18
SMA212 4515F3	19	SMA312 4703QP	13	SR403 4720QP	17
SMA212 4515P	20	SMA312 4707QP	21	XK210 1308E	27
SMA212 4515Q	20	SMA312 4709E1	18	XK210 1308Q	27
SMA212 4524Q	16	SMA312 4709E2	18	XK210 4311E	36
SMA212 4524QR	16	SMA312 4710QP	15	XK210 4515F3	36
SMA212 4528	13	SMA312 4711QP	23	XK210 4515Q	38
SMA212 4551Q	22	SMA312 4715QP	18	XK210 4515QHD	38
SMA212 4702QP	12	SMA312 4718QP	22	XK210 4702QP	27
SMA212 4703QP	13	SMA312 4720QP	17	XK210 4707QP	39
SMA212 4704QP	14	SR301 1307T	11	XK210 4709E1	35
SMA212 4705QP	15	SR301 1308E	12	XK210 4709E2	35
SMA212 4707QP	21	SR301 1308Q	12	XK210 4718QP	40
SMA212 4709E1	18	SR301 1308T	13	XK212 1308E	27
SMA212 4709E2	18	SR301 4311E	19	XK212 1308Q	27
SMA212 4710QP	15	SR301 4514Q	17	XK212 1308T	28
SMA212 4711QP	23	SR301 4514QR	17	XK212 1443E	26
SMA212 4715QP	18	SR301 4515F3	19	XK212 4223E	31
SMA212 4718QP	22	SR301 4515P	20	XK212 4311E	36
SMA212 4720QP	17	SR301 4515Q	20	XK212 4317E	33
SMA310 1308E	12	SR301 4524Q	16	XK212 4514Q	34
SMA310 1308Q	12	SR301 4524QA	16	XK212 4514QR	34
SMA310 1308T	13	SR301 4524QR	16	XK212 4515F3	37

## NUMERICAL PARTS LISTING

PART NUMBER	PAGE	PART NUMBER	PAGE	PART NUMBER	PAGE
XK212 4515F3HD	37	XK301 4707QPM	39	XK312 4725E	33
XK212 4515P	37	XK301 4709E1	35	XK312 4726E	40
XK212 4515Q	38	XK301 4709E2	35	XK403 4514Q	34
XK212 4515QHD	38	XK301 4710QP	31	XK403 4515PC	37
XK212 4524Q	32	XK301 4711QP	41	XK403 4515Q	38
XK212 4524QR	32	XK301 4715QP	34	XK403 4515QHD	38
XK212 4551F3	41	XK301 4718QP	40	XK403 4515QM	38
XK212 4551Q	41	XK301 4720QP	33	XK403 4707QP	39
XK212 4552Q	42	XK310 1308E	27	XK403 4707QPM	39
XK212 4591D	24	XK310 1308Q	27	XK403 4715QP	34
XK212 4591S	25	XK310 4311E	36	XSMA210 1308E	27
XK212 4670Q	25	XK310 4514Q	34	XSMA210 1308Q	27
XK212 4674E	40	XK310 4514QR	34	XSMA210 4311E	36
XK212 4692	25	XK310 4515F3	37	XSMA210 4515F3	36
XK212 4692U	24	XK310 4515F3HD	37	XSMA210 4515Q	38
XK212 4693	26	XK310 4515P	37	XSMA210 4702QP	27
XK212 4701D	39	XK310 4515Q	38	XSMA210 4707QP	39
XK212 4701STD	39	XK310 4515QHD	38	XSMA210 4709E1	35
XK212 4702QP	27	XK310 4524Q	32	XSMA210 4709E2	35
XK212 4703QP	28	XK310 4524QR	32	XSMA210 4718QP	40
XK212 4704QP	29	XK310 4551Q	41	XSMA212 1308E	27
XK212 4707QP	39	XK310 4702QP	27	XSMA212 1308Q	27
XK212 4709E1	35	XK310 4707QP	39	XSMA212 1308T	28
XK212 4709E2	35	XK310 4707QPM	39	XSMA212 1443E	26
XK212 4710QP	31	XK310 4709E1	35	XSMA212 4223E	31
XK212 4711QP	41	XK310 4709E2	35	XSMA212 4311E	36
XK212 4715QP	34	XK310 4715QP	34	XSMA212 4317E	33
XK212 4718QP	40	XK310 4718QP	40	XSMA212 4504L	29
XK212 4719ES	31	XK310 4720QP	33	XSMA212 4505L	30
XK212 4720QP	33	XK312 1308E	27	XSMA212 4514Q	34
XK212 4725E	33	XK312 1308Q	27	XSMA212 4514QR	34
XK212 4725ER	33	XK312 1443E	26	XSMA212 4515F3	37
XK212 4726E	40	XK312 4311E	36	XSMA212 4515P	37
XK301 1308E	27	XK312 4514Q	34	XSMA212 4515Q	38
XK301 1308Q	27	XK312 4515F3	36	XSMA212 4524Q	32
XK301 1308T	28	XK312 4515P	37	XSMA212 4524QR	32
XK301 1443E	26	XK312 4515Q	38	XSMA212 4551F3L	41
XK301 4311E	36	XK312 4515QHD	38	XSMA212 4551F3R	41
XK301 4311EH	36	XK312 4524Q	32	XSMA212 4551Q	41
XK301 4514Q	34	XK312 4524QR	32	XSMA212 4552Q	42
XK301 4514QR	34	XK312 4551Q	41	XSMA212 4591D	24
XK301 4515B	35	XK312 4670Q	25	XSMA212 4591S	25
XK301 4515F3	36	XK312 4702QP	27	XSMA212 4605SM	29
XK301 4515P	37	XK312 4703QP	28	XSMA212 4670Q	25
XK301 4515Q	38	XK312 4707QP	39	XSMA212 4674E	40
XK301 4515QHD	38	XK312 4709E1	35	XSMA212 4692	25
XK301 4524Q	32	XK312 4709E2	35	XSMA212 4692FC2	24
XK301 4524QR	32	XK312 4710QP	31	XSMA212 4692U	24
XK301 4551Q	41	XK312 4711QP	41	XSMA212 4693	26
XK301 4702QP	27	XK312 4715QP	34	XSMA212 4701D	39
XK301 4703QP	28	XK312 4718QP	40	XSMA212 4701STD	39
XK301 4707QP	39	XK312 4720QP	33	XSMA212 4702QP	27

## NUMERICAL PARTS LISTING

PART NUMBER	PAGE	PART NUMBER	PAGE	PART NUMBER	PAGE
XSMA212 4703QP	28	XSMA312 4711QP	41		
XSMA212 4704QP	29	XSMA312 4715QP	34		
XSMA212 4705QP	30	XSMA312 4718QP	40		
XSMA212 4707QP	39	XSMA312 4720QP	33		
XSMA212 4709E1	35	XSMA312 4725ES	33		
XSMA212 4709E2	35	XSMA312 4726ES	40		
XSMA212 4710QP	31	XSR301 1308E	27		
XSMA212 4711QP	41	XSR301 1308Q	27		
XSMA212 4715QP	34	XSR301 1308T	28		
XSMA212 4718QP	40	XSR301 1443E	26		
XSMA212 4719ES	31	XSR301 4311E	36		
XSMA212 4720QP	33	XSR301 4311EH	36		
XSMA212 4725ES	33	XSR301 4471RC	42		
XSMA212 4726ES	40	XSR301 4514Q	34		
XSMA310 1308E	27	XSR301 4514QR	34		
XSMA310 1308Q	27	XSR301 4515B	35		
XSMA310 4311E	36	XSR301 4515F3	36		
XSMA310 4514Q	34	XSR301 4515P	37		
XSMA310 4514QR	34	XSR301 4515Q	38		
XSMA310 4515F3	37	XSR301 4524Q	32		
XSMA310 4515P	37	XSR301 4524QA	32		
XSMA310 4515Q	38	XSR301 4524QR	32		
XSMA310 4524Q	32	XSR301 4551Q	41		
XSMA310 4524QR	32	XSR301 4702QP	27		
XSMA310 4551Q	41	XSR301 4703QP	28		
XSMA310 4602RD	30	XSR301 4707QP	39		
XSMA310 4702QP	27	XSR301 4707QPM	39		
XSMA310 4707QP	39	XSR301 4709E1	35		
XSMA310 4707QPM	39	XSR301 4709E2	35		
XSMA310 4709E1	35	XSR301 4710QP	31		
XSMA310 4709E2	35	XSR301 4711QP	41		
XSMA310 4715QP	34	XSR301 4715QP	34		
XSMA310 4718QP	40	XSR301 4718QP	40		
XSMA310 4720QP	33	XSR301 4720QP	33		
XSMA312 1308E	27	XSR403 4471RC	42		
XSMA312 1308Q	27	XSR403 4514Q	34		
XSMA312 1443E	26	XSR403 4515PC	37		
XSMA312 4311E	36	XSR403 4515Q	38		
XSMA312 4514Q	34	XSR403 4515QM	38		
XSMA312 4515F3	36	XSR403 4527EC	42		
XSMA312 4515P	37	XSR403 4707QP	39		
XSMA312 4515Q	38	XSR403 4707QPM	39		
XSMA312 4524Q	32	XSR403 4715QP	34		
XSMA312 4524QR	32				
XSMA312 4551Q	41				
XSMA312 4670Q	25				
XSMA312 4702QP	27				
XSMA312 4703QP	28				
XSMA312 4707QP	39				
XSMA312 4709E1	35				
XSMA312 4709E2	35				
XSMA312 4710QP	31				

## ARVINMERITOR AFTERMARKET PARTS WARRANTY

We warrant all new parts for one year from date of shipment to the buyer against defective material or workmanship (but not against damage caused by accident, abuse or improper installation, maintenance or repair) when such parts are used on vehicles the specifications of which have been approved by our Engineering Department.

As the exclusive remedy under this warranty, we will, at our option, repair or replace such parts free of charge, or take back the nonconforming parts and refund the monies paid by buyer for such parts, if found on examination by us to be nonconforming and if any necessary return charges are prepaid.

If it is necessary to return any parts under this warranty, buyer agrees not to make any deduction on account thereof from remittances on current accounts while claims are in the process of disposition. Any expense incurred without our consent for repairs or replacement will not be allowed.

**THIS WARRANTY IS EXPRESSLY IN LIEU OF ALL OTHER WARRANTIES OR CONDITIONS, EXPRESS, IMPLIED OR STATUTORY, INCLUDING ANY IMPLIED WARRANTY OF MERCHANTABILITY OR FITNESS FOR PARTICULAR PURPOSE. IN NO EVENT SHALL SELLER BE LIABLE FOR INCIDENTAL OR CONSEQUENTIAL DAMAGES OF ANY NATURE.**

Only genuine ArvinMeritor replacement parts are covered by this aftermarket parts warranty.

Information contained in this publication was in effect at the time the publication was approved for printing and is subject to change without notice or liability. ArvinMeritor reserves the right to revise the information presented or discontinue the production of parts at any time.

---

**ArvinMeritor™**

*Commercial Vehicle Aftermarket*

**Meritor Heavy Vehicle Systems, LLC**

7975 Dixie Highway  
Florence, KY 41042 USA  
888-725-9355  
www.arvinmeritor.com

© Copyright 2004  
ArvinMeritor, Inc

Printed in U.S.A.

Revised 9/2004  
PB-8857F (05060)