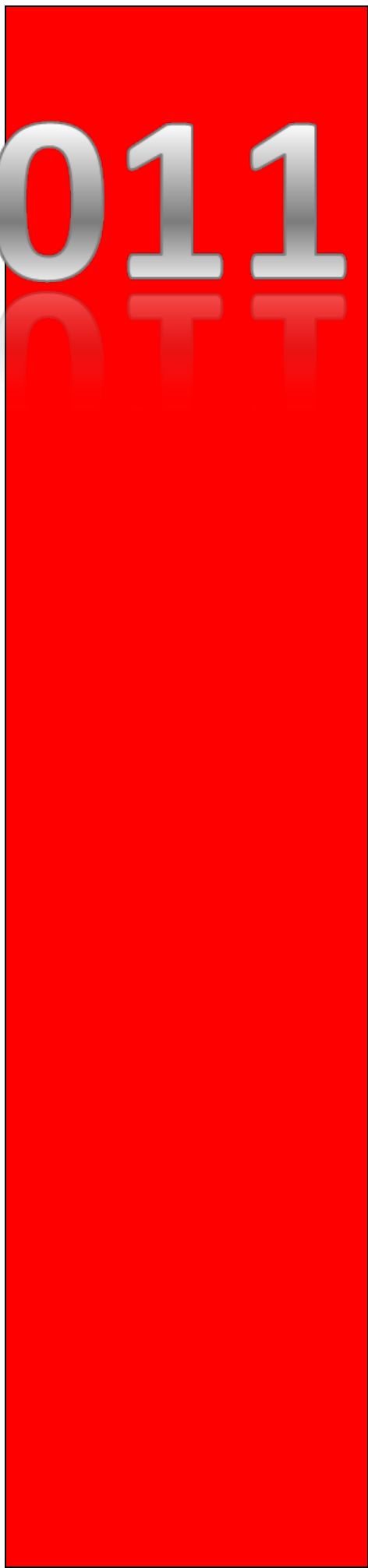


# REEDS G PARTS CATALOGUE

2011



## AXLE / BRAKE

BRAKE DRUMS	1
BRAKE DRUM CROSS REFERENCE	2
RED DOG BRAKE SHOES	3
SLACK ADJUSTERS	4
SPRING BRAKE	5
SERVICE CHAMBERS	6
BRAKE BOOSTER FEATURES AND BENEFITS	7
WHEEL END PARTS	7

## CAB &amp; ACCESSORIES

RED DOG TOOLS AND ACCESSORIES	8
CHROME HUB CAP KIT	9
MATTRESSES AND MATTRESS COVERS	10

## CLEANING &amp; ACCESSORIES

CLEANING PRODUCTS	11
-------------------	----

## ELECTRICAL

ALTERNATORS AND STARTER MOTORS	12
--------------------------------	----

## LOAD RESTRAINTS

LOAD RESTRAINT	13
----------------	----

## MUDFLAPS / MUDGUARDS

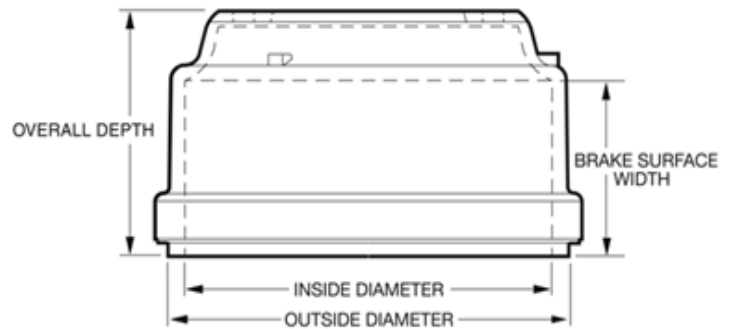
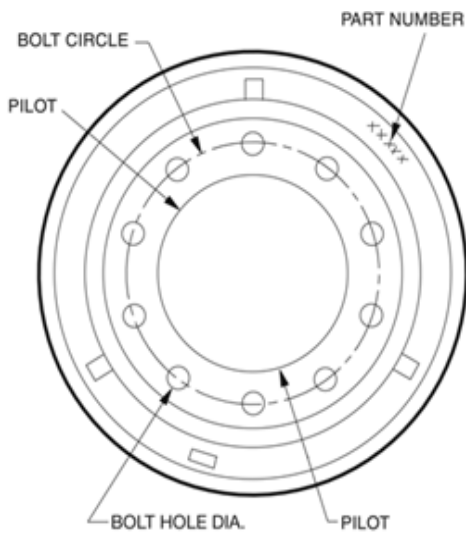
MUDFLAPS AND ACCESSORIES	14
MUDGUARDS AND ACCESSORIES	15

## STEERING / DRIVE

EURO TIE ROD ENDS	16
TIE ROD DIMENSIONS	17
CROSS REFERENCE - DAF	18
CROSS REFERENCE - IVECO	19
CROSS REFERENCE - MAN	20
CROSS REFERENCE - MERCEDES BENZ	21
CROSS REFERENCE - MERCEDES BENZ (continued)	22
CROSS REFERENCE - RENAULT	23
CROSS REFERENCE - SCANIA	24
CROSS REFERENCE - VOLVO	25

**BRAKE DRUMS:**

Red Dog Part Number	Brake Size	Overall Depth	Brake Surface Width	Inside Dia.	Outside Dia.	Pilot	Bolt Circle	Bolt Hole Number	Bolt Hole Dia.	Weight
RDBD122	16.5"x 7"	9.8"	7.6"	16.5"	18"	11.43"	13.19"	6	0.83"	58.1kg
RDBD127	16.5"x 7"	8.2"	7.1"	16.5"	17.4"	9.44"	11"	5 & 6	25/32"	48.9kg
RDBD189	16.5"x 7"	8.5"	7.2"	16.5"	17.6"	11.25"	12.75"	5 & 6	25/32"	45.8kg
RDBD190	16.5"x 7"	10.6"	7.6"	16.5"	17.5"	8.78"	11.25"	10	0.98"	52.8kg



**PRODUCT AVAILABILITY**

- Red Dog brake drums are stocked and available through Western Stars Parts Distribution Centre.

**FEATURES & BENEFITS**

- Red Dog brake drums are cast iron and machined balanced.
- Made to stringent quality control measures.



**BRAKE DRUM CROSS REFERENCE:****RED DOG BRAKE DRUM CROSS REFERENCE**

RED DOG	ATAP	ALLRIG	TOOWOOMBA	WEBB	IVECO
RDBD122	BD746A	G07	DR122		ITBD50
RDBD127	BD734	G06	DR127	67517	ITBD20
RDBD189	BD743	G02	DT189	68981B/62240	ITBD10
RDBD190	BD751	G11	DR190V	69996	ITBD120

**ADDITIONAL INFORMATION**

To learn more about Red Dog parts, please contact your Parts Regional Sales Manager or visit

[www.reddogparts.com.au](http://www.reddogparts.com.au)

RED DOG BRAKE SHOES:

BRAKE SHOES			
Part Number	Description	GRADE	UOM
RDBS1	Brake shoes, lined and riveted	'Q' FF	PR
RDBS2	Brake shoes, lined and riveted	'P' FF	PR

## FREQUENTLY ASKED QUESTIONS

### Why Buy Red Dog Shoes?

- Premium quality at an affordable price.
- Available in most popular ratings.
- Quality procedures ensure QS90000/ISO9001 practices are followed

## WARRANTY

Red Dog brake shoes are covered by a Nationwide 12 month warranty

## RED DOG BRAKE WEAR INDICATOR

Part Number	Description
RDBC G	Gold 1½" Universal Brake Wear Indicator



## FEATURES & BENEFITS

- Increases brake lining usage.
- Reduces the risk of other expensive hardware damage.
- Monitor's the brake shoe wear between maintenance inspections.
  - Eliminates unnecessary changes.
- Prevent premature auto brake adjuster damage.

SLACK ADJUSTERS:**SLACK ADJUSTERS****10 SPLINE MANUAL SLACK ADJUSTERS**

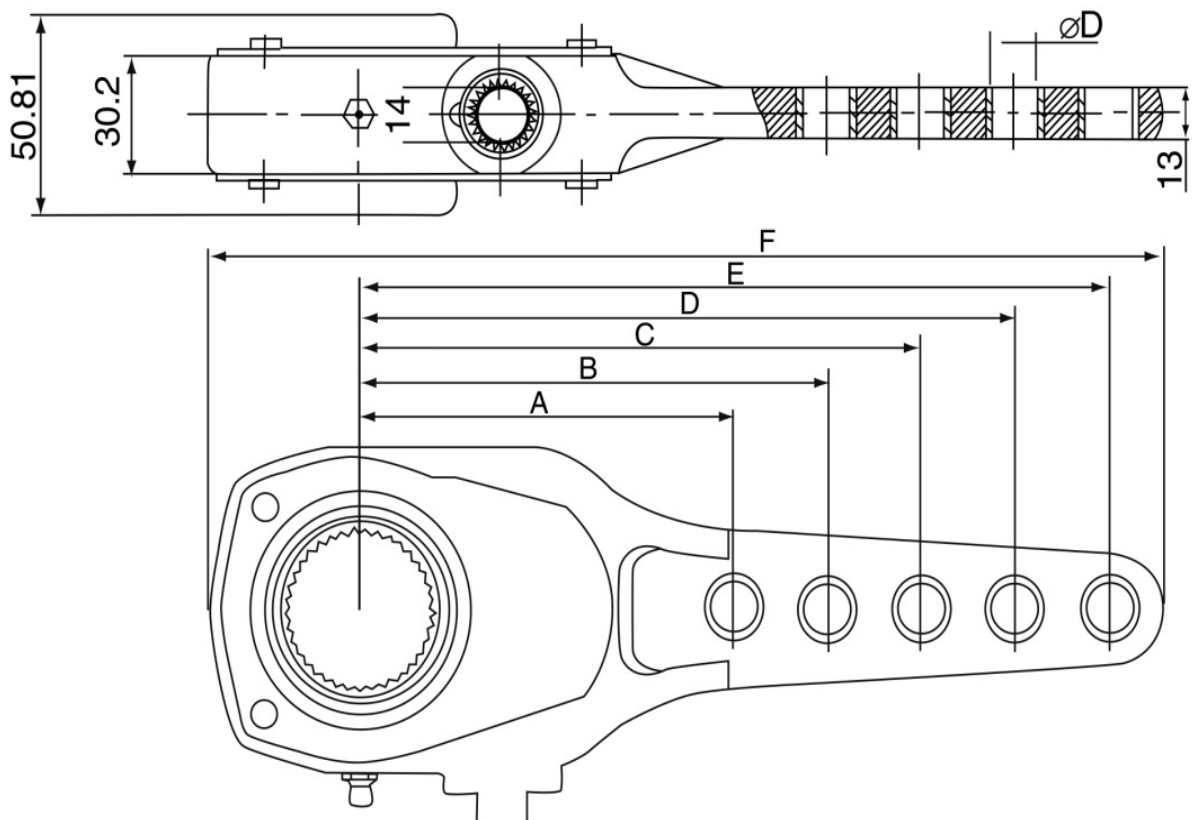
PART NUMBER	SPLINE SIZE	PIN SIZE	ARM LENGTH (approx / mm)						APPLICATION/COMMENTS
			A	B	C	D	E	F	
RDSA5020	1-1/2"	1/2"	x	x	5"	6"	7"	9"	G.P Trailer / Straight Arm
RDSA5022	1-1/2"	14mm	120	150	180	220	250	305	BPW / Straight Arm
RDSA5023	1-1/2"	1/2"	x	x	x	5½"	6½"	9"	Drive Axles / Straight Arm

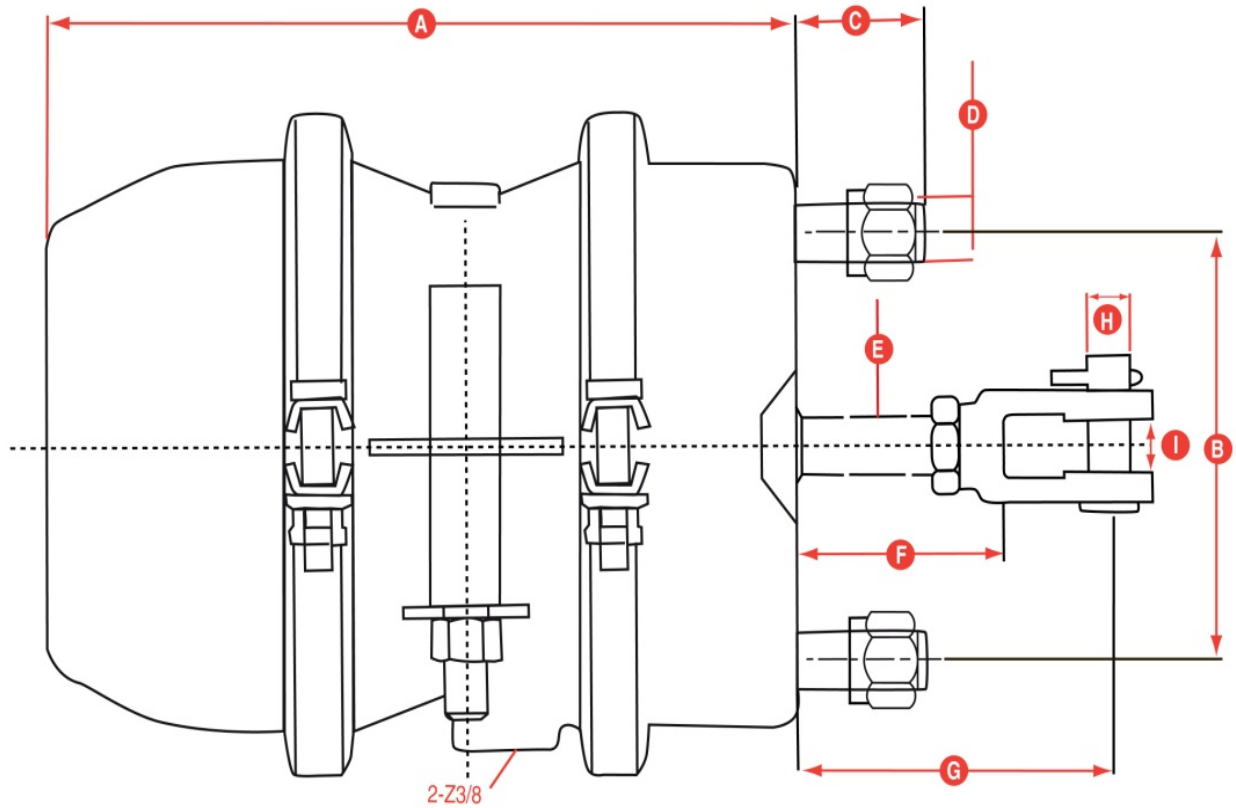
**28 SPLINE MANUAL SLACK ADJUSTERS**

PART NUMBER	SPLINE SIZE	PIN SIZE	ARM LENGTH						APPLICATION/COMMENTS
			A	B	C	D	E	F	
RDSA5024	1-1/2"	1/2"	x	x	x	5½"	6½"	9"	Drive Axles / Straight Arm
RDSA5025	1-1/2"	1/2"	x	x	5"	6"	7"	9"	Trailer Axle / Straight Arm

**37 SPLINE MANUAL SLACK ADJUSTERS**

PART NUMBER	SPLINE SIZE	PIN SIZE	ARM LENGTH						APPLICATION/COMMENTS
			A	B	C	D	E	F	
RDSA5021	1-5/8"	1/2"	x	x	x	x	6"	8"	Fruehauf Propar / Straight Arm



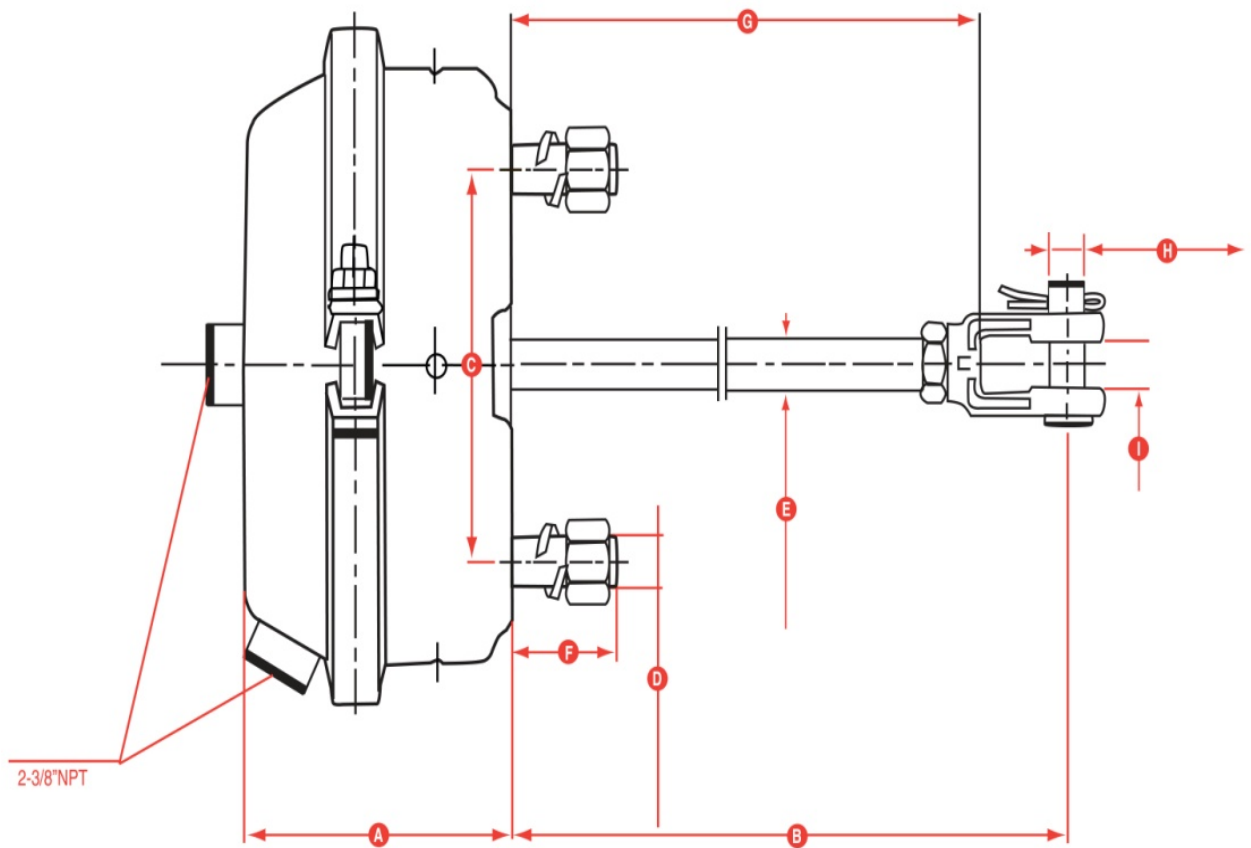
SPRING BRAKES:

MODEL	BRAKE TYPE	WEIGHT kg	A mm	B mm	C mm	D mm	E mm	F mm	G mm	H mm	I mm
RDBB2424	S-Cam	8.6	226	120.7	37.5	5/8"-11 UNC	5/8"-18 UNF	274	305	12.5	14.5
RDBB2430	S-Cam	9.25	227	120.7	37.5	5/8"-11 UNC	5/8"-18 UNF	275	306	12.5	14.5
RDBB3030	S-Cam	9.71	235	120.7	37.5	5/8"-11 UNC	5/8"-18 UNF	325	356	12.5	14.5

**REDDOG**  
PARTS

SERVICE CHAMBERS:

MODEL	WEIGHT kg	A mm	B mm	C mm	D mm	E mm	F mm	G mm	H mm	I mm
RDBB24	3.92	108	328	120.7	5/8"-11 UNC	5/8"-18 UNF	37.5	297	12.5	14.5
RDBB30	4.47	101	330	120.7	5/8"-11 UNC	5/8"-18 UNF	37.5	299	12.5	14.5

**BRAKE BOOSTER REFERENCE CHART**

PART NUMBER	DESCRIPTION	UOM
RDBB2424	BRAKE BOOSTER 2424 (BOX OF 2)	BOX
RDBB2430	BRAKE BOOSTER 2430 (BOX OF 2)	BOX
RDBB3030	BRAKE BOOSTER 3030 (BOX OF 2)	BOX
RDBB24	BRAKE BOOSTER 24	EA
RDBB30	BRAKE BOOSTER 30	EA



## BRAKE BOOSTER FEATURES & BENEFITS

- **Universal Caging Bolt-** Standard T-bolt design allows for common bolt usage.
- **Guided Diaphragm-** The exclusive, patented guided diaphragm maintains alignment of power spring, thereby preventing "hang-ups" and assuring a long service life and full stroke of the push rod.
- **All Steel and Fully Powder Coated-** All Red Dog spring brake components are made of steel and powder coated, providing greater durability and corrosion resistance (powder coating receives 96 hour salt test spray).
- **Steel Non-Pressure Housing-** Heavy gauge steel gives Red Dog spring brakes greater durability and contributes to a longer service life.
- **Installation Valve (optional) -** Reduces installation cost by allowing you to cage the power spring with air pressure through this valve and saves using a mechanical release tool.
- **Permanently Sealed Spring Brake Chamber**
- **Stiffener-** Provides extra support, preventing failure of housing.

### WHEEL END PARTS:

WHEEL SEAL PART NUMBERS		
Part Number	Description	UOM
RD35058	Front Axle Seal	EA
RD35066	Front Axle Seal	EA
RD40136	Trailer Axle Seal	EA
RD42623	Trailer Axle Seal	EA
RD42627	Trailer Axle Seal	EA
RD46300	Trailer Axle Seal	EA
RD46305	Trailer Axle Seal	EA
RD47695	Drive Axle Seal	EA
RD47697	Drive Axle Seal	EA

**RED DOG TOOLS AND ACCESSORIES:****FLOOR MATS**

PART NUMBER	DESCRIPTION	UOM
RDFMWS	Floor Mat Constellation	SET

**SAFETY EQUIPMENT**

PART NUMBER	DESCRIPTION	UOM
RD1005	Triangle set (3 in set)	SET
RDSCL	Red Dog Suzi Coil Set (long)	SET
RDSCS	Red Dog Suzi Coil Set (short)	SET

**TOOLS & ACCESSORIES**

PART NUMBER	DESCRIPTION	UOM
RDLBC	Leather Log Book Cover	EA
RddbK	Dust Blower Kit	EA
RDWB114	Wheel Brace 1-1/4 x 1-5/16	EA
RDBJ12	Bottle Jack 12T	EA
RDBJ12L	Bottle Jack 12T Low	EA
RDBJ20	Bottle Jack 20T	EA
RDBJ20L	Bottle Jack 20T Low	EA
RDBJ32	Bottle Jack 32T	EA
RDBGF	Brake Tool-Fleet	EA
RDBGTM	Brake Tool-Metric	EA
RDBGTP	Brake Tool-Percentage	EA
RDOSK	Red Dog Oil Sample Kit	KIT
RDOSP	Red Dog Oil Sample Pump	EA

**WARRANTY**

Red Dog Tools and Accessories are covered by a nationwide  
**12 MTHS WARRANTY**



CHROME HUB CAP KIT:

<b>CHROME HUB CAP KITS</b>		
<b>Part Number</b>	<b>Description</b>	<b>UOM</b>
<b>RDCK285</b>	HUB KIT 285 10 STUD	SET
<b>RDCK285S</b>	HUB KIT 285 10 STUD Stainless Steel	SET
<b>RDCK285W</b>	HUB KIT 285 10 STUD with WST logo	SET
<b>RDCK335</b>	HUB KIT 335 10 STUD	SET
<b>RDCK335S</b>	HUB KIT 335 10 STUD stainless steel	SET

**FEATURES & BENEFITS**

- Only the highest grades of stainless are used in Red Dog wheel hub kits.
- Red Dog plastic wheel hub kits are impact resistant, lightweight and flexible.
- High-shine chrome finish never rusts.
- Hub covers have unique vent holes that dissipate wheel heat and protect against oil seal damage.
- Hub caps kits are available with removable caps for easy access to the hub.
- Wheel cover products fit all 11.25 bolt circle wheels.
- Fits 33mm and 1½" nut covers.

**PRODUCT AVAILABILITY**

Chrome products are stocked at Western Stars Parts Distribution Centre.



MATTRESSES AND MATTRESS COVERS:**DELUXE QUILTED INNERSPRING MATTRESS**

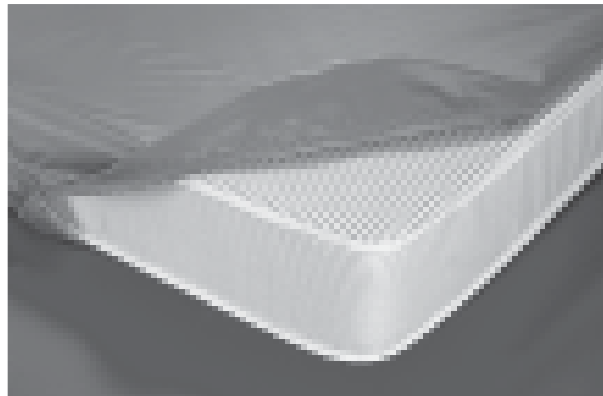
- Energy absorbing innerspring mattress.
- Plush quilted top for ultimate comfort.
- Deluxe quilted "Trucker" fabric.
- Rolled and Boxed Technology.
- All materials meet MVSS-302.
- Manufactured under strict ISO-9001 quality guidelines.

**DELUXE****QUILTED INNERSPRING MATTRESS**

Part Number	Length x Width x Depth (approx)	Carton Size
RDM35S	85" x 35" x 7"	16" x 16" x 39"

**VINYL ZIPPER MATTRESS COVERS**

Part number	Length x Width x Depth (approx)	Carton Size
RDM35C	35"x 85"x 8"	10" x 8" x 30"



*Vinyl zippered covers keep the mattress clean and looking new!*

**WARRANTY**

Red Dog mattresses are subject to consumption during their normal service life and are routinely replaced during normal maintenance services, and therefore are not covered under aftermarket parts warranty.

CLEANING PRODUCTS:

RED DOG CLEANING		
PART NUMBER	DESCRIPTION	UOM
RDTW5L	Truck Wash 5 Litre	EA
RDTW20L	Truck Wash 20 Litre	EA
RDTW200L	Truck Wash 200 Litre	EA
RDTWW5L	Truck Wash n Wax 5 Litre	EA
RDTWW20L	Truck Wash n Wax 20 Litre	EA
RDTWW200L	Truck Wash n Wax 200 Litre	EA
RDHDD5L	H/Duty Eng Degreaser 5 Litre	EA
RDHDD20L	H/Duty Eng Degreaser 20 Litre	EA
RDHDD200L	H/Duty Eng Degreaser 200 Litre	EA
RDAPD5L	All Purpose Degreaser 5 Litre	EA
RDAPD20L	All Purpose Degreaser 20 Litre	EA
RDAPA200L	All Purpose Degreaser 200 Litre	EA
RDGC500ML	Glass Cleaner 500ml-Spray Bottle	EA
RDGC5L	Glass Cleaner 5 Litre	EA
RDGC20L	Glass Cleaner 20 Litre	EA
RDMP500ML	Metal Polish 500ml	EA
RDMP5L	Metal Polish 5 Litre	EA
RDT500ML	Tyre Shine 500ml-Spray Bottle	EA
RDT5L	Tyre Shine 5 Litre	EA
RDT20L	Tyre Shine 20 Litre	EA
RDVG500ML	Vinyl Guard 500ml-Spray Bottle	EA
RDVG5L	Vinyl Guard 5 Litre	EA
RDVG20L	Vinyl Guard 20 Litre	EA
RDCR20L	Concrete Remover 20 Litre	EA
RDAC20L	Aluminium Cleaner 20 Litre	EA



ALTERNATORS AND STARTER MOTORS:**PART NUMBERS**

<b>ALTERNATORS</b>	
<b>Part Numbers</b>	<b>Description</b>
RDALT160J	12v 160Amp J180 Mount (Bosch)
RDALT160P	12v 160Amp PAD Mount (Bosch)
<b>STARTERS</b>	
<b>Part Numbers</b>	<b>Description</b>
RDSM42MT	12v Starter Motor 42MT (ISKRA)

**PRODUCT AVAILABILITY**

Red Dog alternators and starters are stocked at the Western Star Parts Distribution Centre.



LOAD RESTRAINT:

<b>LOAD RESTRAINTS</b>		
<b>Load Binders</b>		
PART NUMBER	DESCRIPTION	UOM
RDLBL	Load Binders Lever Style	EA
RDLBR	Load Binders Ratchet Style	EA
<b>Ratchets and Straps</b>		
PART NUMBER	DESCRIPTION	UOM
RDR	Ratchet with Tail and Hook	EA
RDR25	Ratchet with 25mm Strap	EA
RDR38	Ratchet with 38mm Strap	EA
<b>Winches</b>		
PART NUMBER	DESCRIPTION	UOM
RDWC	Clip on Winch	EA
RDWS	Slide on Winch	EA
RDWS11M	Winch Strap 11m	EA
RDWS9M	Winch Strap 9m	EA
<b>Transport Chain</b>		
PART NUMBER	DESCRIPTION	UOM
RDC9M	Chain G70 9M with Hooks	EA

**FEATURES & BENEFITS**RATCHET STYLE

- Forged steel handle.
- Forged hooks and eyebolts.
- Indefinite adjustment.
- Meets or exceeds AS/NZ4344-2001.

Lever Style

- Meets or exceeds AS/NZ4344-2001.
- Forged hooks and eyebolts.
- Forged steel handle.

**WARRANTY**

Red Dog offers **12 MONTHS WARRANTY** on all the load restraints range.



MUDFLAPS AND ACCESSORIES:

<b>MUDFLAPS</b>		
<b>Mudflaps</b>		
<b>PART NUMBER</b>	<b>DESCRIPTION</b>	<b>UOM</b>
RDMF2418	M/Flap Anti Spray Plain White	EA
RDMF2418WS	M/Flap Anti Spray WST Logo	EA
RDMF2424	M/Flap Anti Spray Plain White	EA
RDMF2424WS	M/Flap Anti Spray WST Logo	EA
RDMF2430	M/Flap Anti Spray Plain White	EA
RDMF2430WS	M/Flap Anti Spray WST Logo	EA
RDMF2436	M/Flap Anti Spray Plain White	EA
RDMF2436WS	M/Flap Anti Spray WST Logo	EA
<b>Mudflap Brackets and Accessories</b>		
<b>PART NUMBER</b>	<b>DESCRIPTION</b>	<b>UOM</b>
RDASB	Anti Sail Bracket	EA

MUDFLAPS AND ACCESSORIES:

<b>MUDGUARD FASTENER'S &amp; ACCESSORIES</b>		
<b>Fasteners</b>		
<b>PART NUMBER</b>	<b>DESCRIPTION</b>	<b>UOM</b>
RDCP	Mudguard Chassis Pipe	PR
RDCPC	Mudguard Chassis Pipe Chrome	PR
RDMB01B	Mudguard Bracket Black	KIT
RDMB01S	Mudguard Bracket Silver	KIT
RDMB01A	Mudguard Bracket (Aluminium)	KIT
<b>Accessories</b>		
<b>PART NUMBER</b>	<b>DESCRIPTION</b>	<b>UOM</b>
RDSS	Mudguard Spray Suppressant	EA
RDLK	Mudguard Link Kit	KIT



MUDGUARDS AND ACCESSORIES:**MUDGUARDS**

PART NUMBER	DESCRIPTION	UOM
RDMGB	BLACK	EA
RDMGBR	BROWN	EA
RDMGDB	DARK BLUE	EA
RDMGLB	LIGHT BLUE	EA
RDMGDG	DARK GREEN	EA
RDMGLG	LIGHT GREEN	EA
RDMGO	ORANGE	EA
RDMGR	RED	EA
RDMGS	SILVER	EA
RDMGG	DARK GREY	EA
RDMGW	WHITE	EA
RDMGY	YELLOW	EA
RDMGM	MAROON	EA
RDMGSS	STAINLESS STEEL	EA

**FEATURES & BENEFITS**

- Made from high impact Polypropylene.
- 10 Year UV rating.
- Won't distort out of shape.
- Australian made and made for Australian conditions.
- Available in 13 stylish colours

**GENERAL PRODUCT INFO**

Spray Suppressant Mudguards are an ADR requirement.

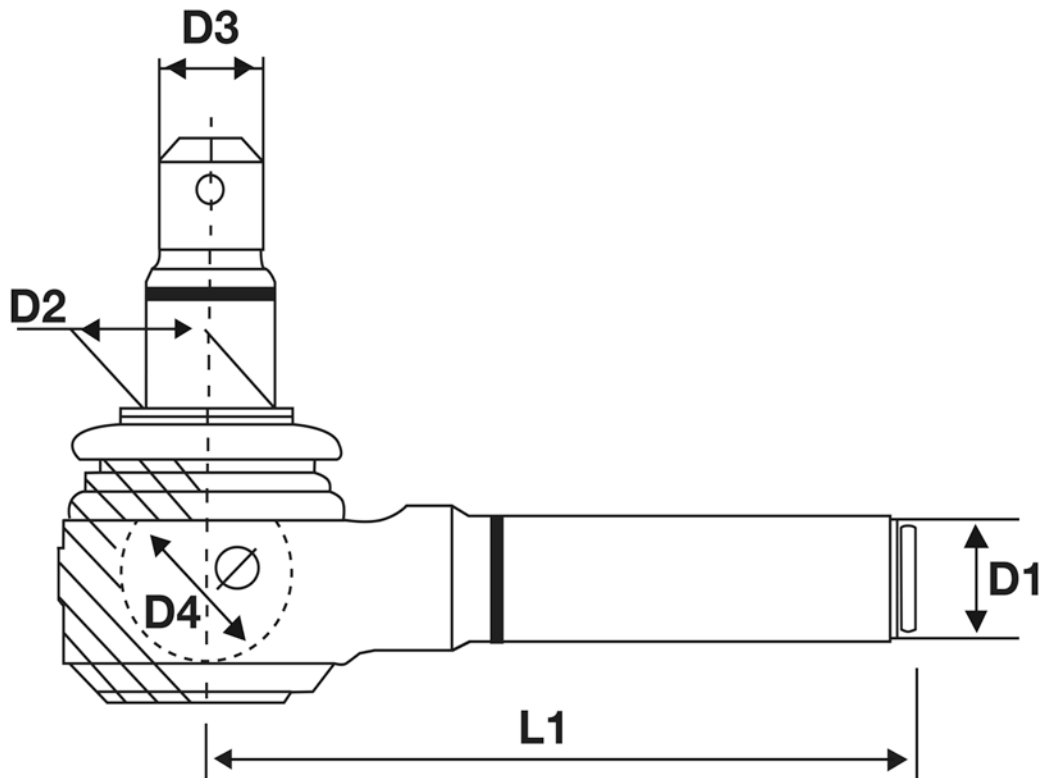
TIE RODS:**STEERING COMPONENTS****Euro Tie Rod Ends**

PART NUMBER	DESCRIPTION	UOM
RD3001	Tie Rod End Suits Daf/Iveco/Mercedes Benz/Volvo	EA
RD3002	Tie Rod End Suits Daf/Iveco/Mercedes Benz/Volvo	EA
RD3501	Tie Rod End Suits Daf/Iveco/Mercedes Benz	EA
RD3502	Tie Rod End Suits Daf/Iveco/Mercedes Benz	EA
RD4001	Tie Rod End Suits Daf/Iveco/Mercedes Benz/Scania	EA
RD4002	Tie Rod End Suits Daf/Iveco/Mercedes Benz/Scania	EA
RD4004	Tie Rod End Suits Mercedes Benz	EA
RD4005	Tie Rod End Suits Mercedes Benz	EA
RD4010	Tie Rod End Suits Volvo	EA
RD4011	Tie Rod End Suits Volvo	EA
RD4022	Tie Rod End Suits Volvo	EA
RD4023	Tie Rod End Suits Volvo	EA

**WARRANTY**

**Red Dog parts have a 12 month warranty**



TIE RODS:**Dimensions**

L1	D2	D1	D3	D4	ICN
105	22	M28x1,5	M18x1,5	30	RD3001
105	22	M28x1,5	M18x1,5	30	RD3002
115	26	M30x1,5	M20x1,5	35	RD3501
115	26	M30x1,5	M20x1,5	35	RD3502
120	28.6	M30x1,5	M20x1,5	40	RD4022
120	28.6	M30x1,5	M20x1,5	40	RD4023
120	30	M30x1,5	M24x1,5	40	RD4001
120	30	M30x1,5	M24x1,5	40	RD4002
120	31.5	M30x1,5	M24x1,5	40	RD4010
120	31.5	M30x1,5	M24x1,5	40	RD4011
120	32	M30x1,5	M27x1,5	40	RD4004
120	32	M30x1,5	M27x1,5	40	RD4005

TIE RODS:**CROSS REFERENCE GUIDE****DAF****F45 / 1200 / 1700 / 1900****RD3001****OE: 1 228 114**

L1	105
D2	22
D1	M28x1,5 RH

**RD3002****OE: 0 0607 452**

L1	105
D2	22
D1	M28x1,5 LH

**F1200 - 1900 / F85 / 65C / 75CF****RD3501****OE: 1 229 944**

L1	115
D2	26
D1	M30x1,5 RH

**RD3502****OE: 1 319 838**

L1	115
D2	26
D1	M30x1,5 LH

**F1600 - 2100 / 65 / 75 / 85 / 95 / 65CF / 75CF / 85CF****RD4001****OE: 1 257 890**

L1	122
D2	30
D1	M30x1,5 RH

**RD4002****OE: 1 329 134**

L1	122
D2	30
D1	M30x1,5 RH

TIE RODS:**IVECO****ZETA / TURBO ZETA****RD3001****OE: 0 0819 3645**

L1	105
D2	22
D1	M28x1,5 RH

**RD3002****OE: 0 0819 3646**

L1	105
D2	22
D1	M28x1,5 LH

**110-13A / 130-13A / 150-16AN****RD3501****OE: 0 4249 3781**

L1	115
D2	26
D1	M30x1,5 RH

**RD3502****OE: 0 4249 3782**

L1	115
D2	26
D1	M30x1,5 LH

**M****RD4001****OE: 0 0480 2443**

L1	122
D2	30
D1	M30x1,5 RH

**RD4002****OE: 0 0480 2444**

L1	122
D2	30
D1	M30x1,5 RH

TIE RODS:**MAN****G90 / L2000 / M2000L****RD3001****OE: 81.95301.6060**

L1	105
D2	22
D1	M28x1,5 RH

**RD3002****OE: 81.95301.0079**

L1	105
D2	22
D1	M28x1,5 LH

**F2000 / L2000 / M2000L / M2000M / M90****RD3501****OE: 81.95301.6239**

L1	115
D2	26
D1	M30x1,5 RH

**M2000L / M90****RD3501****OE: 81.95301.0082**

L1	115
D2	26
D1	M30x1,5 LH

**F2000 / F90 / M2000L / M2000M / M90 / TGA****RD4001****OE: 81.95301.6274**

L1	122
D2	30
D1	M30x1,5 RH

**RD4002****OE: 81.95301.6179**

L1	122
D2	30
D1	M30x1,5 LH

TIE RODS:**MERCEDES BENZ****T2 / VARIO / L-TYPE / LK / MK / SK****RD3001****OE: 000 330 93 35**

L1	105
D2	22
D1	M28x1,5 RH

**LK / LN2 / NG****RD3002****OE: 000 330 94 35**

L1	105
D2	22
D1	M28x1,5 LH

**ACTROS / ACTROS MP2 / ATEGO / ATEGO 2 / AXOR / AXOR 2 / ECONIC / LK / LN2 / LP / MK / NG / O****RD3501****OE: 001 330 01 35**

L1	115
D2	26
D1	M28x1,5 RH

**LK / LN2 / MK / NG / 0301 / 0402 / SK****RD3502****OE: 302 330 02 35**

L1	115
D2	26
D1	M28x1,5 LH

TIE RODS:**MERCEDES BENZ****NG / SK****RD4001****OE: 001 460 22 48**

L1	122
D2	30
D1	M30x1,5 RH

**ACTROS / LK-LN2 / MK / NG / 0405 / SK / UNIMOG****RD4002****OE: 001 460 23 48**

L1	122
D2	30
D1	M30x1,5 LH

**ACTROS / ACTROS MP2 / ATEGO / AXOR / AXOR 2 / ECONIC / MK / NG / SK****RD4004****OE: 001 460 17 48**

L1	122
D2	32
D1	M30x1,5 RH

**RD4005****OE: 001 460 25 48**

L1	122
D2	32
D1	M30x1,5 LH



TIE RODS:**RENAULT****M / S / MIDLINER****RD3001****OE: 50 00 823 987**

L1	105
D2	22
D1	M28x1,5 RH

**RD3002****OE: 50 00 823 997**

L1	105
D2	22
D1	M28x1,5 LH

**S / M****RD3501****OE: 50 00 295 214**

L1	115
D2	26
D1	M30x1,5 RH

**RD3502****OE: 50 00 295 215**

L1	115
D2	26
D1	M30x1,5 LH

**AE / G / R / S / KERAX / MAXTER / MAGNUM / PREMIUM****RD4001****OE: 50 00 288 360**

L1	122
D2	30
D1	M30x1,5 RH

**RD4002****OE: 50 00 288 361**

L1	122
D2	30
D1	M30x1,5 RH

TIE RODS:**SCANIA****4 SERIES****RD4001****OE: 1 358 793**

L1	122
D2	30
D1	M30x1,5 RH

**RD4002****OE: 1 358 792**

L1	122
D2	30
D1	M30x1,5 LH

TIE RODS:**VOLVO****B6 / F6****RD3001****OE: 1698191**

L1	105
D2	22
D1	M28x1,5 RH

**RD3002****OE: 1698190**

L1	105
D2	22
D1	M30x1,5 LH

**VOLVO****RD4010****OE: 1695776**

L1	122
D2	31.5
D1	M30x1,5 RH

**RD4002****OE: 1131744**

L1	122
D2	31.5
D1	M30x1,5 LH

**RD4022****OE: 1698846**

L1	125
D2	28.6
D1	M30x1,5 RH

**RD4023****OE: 1698847**

L1	125
D2	28.6
D1	M30x1,5 LH

**To learn more about Red Dog  
parts, please contact your Parts  
Regional Sales Manager or visit**

**[www.reddogparts.com.au](http://www.reddogparts.com.au)**

CATALOGUE REFERENCENUMBER

RDC16.02.2011