

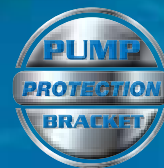
HIGH PERFORMANCE *PUMPS*

Designed for commercial and extra large domestic pools, Waterco high performance pumps provide the extra power needed to cope with ancillary systems like water features, infloor cleaning, vacuum cleaning and swim/spa jets.

Hydrostorm

Hydrostorm Plus

Hydrostar



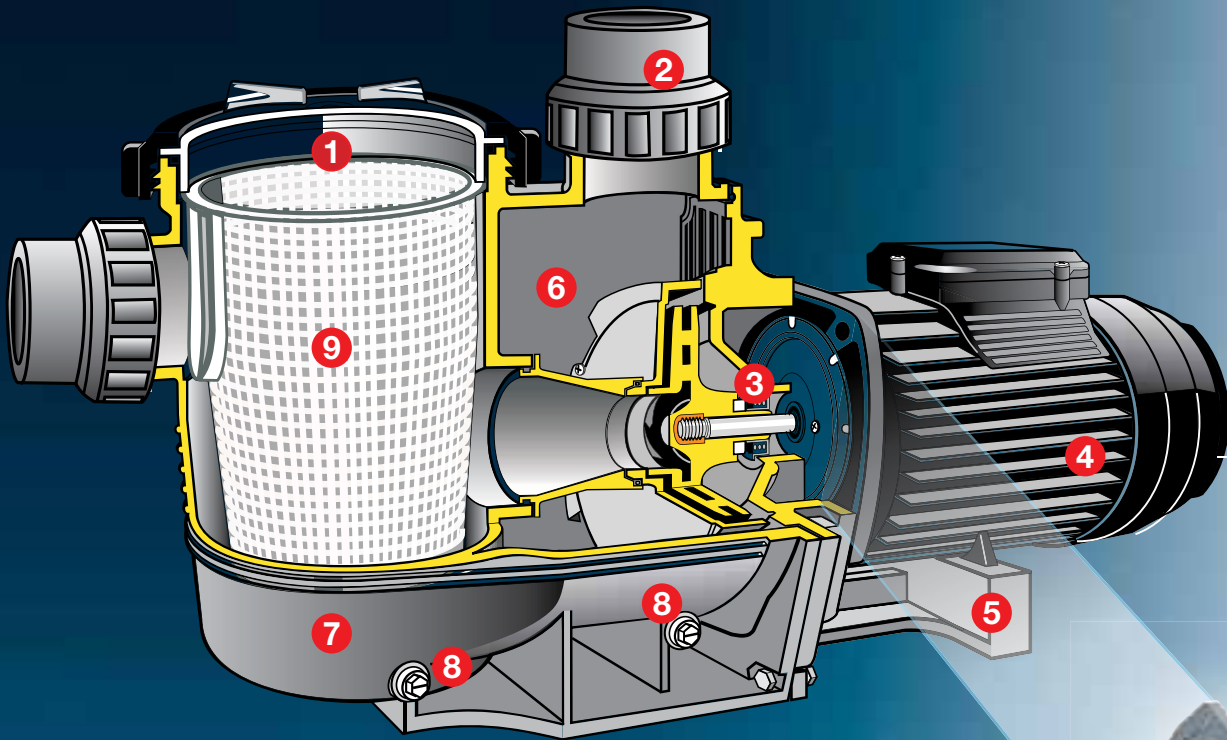
Efficient Impeller and Diffuser Design

The pump's impeller and diffuser design maximizes the hydraulic output of the pump while minimizing turbulence. The pump's efficient hydraulic performance shortens run times and reduces energy consumption leading to lower operating costs.

Engineered Durability

The pump body is manufactured utilising state of the art engineering plastic moulding with a single piece strainer pot and volute for extra strength.

A high grade 316 stainless steel mechanical seal is incorporated for extra protection against corrosion. e.g. from chlorinated water, ozone, iodine, Baquacil, bromine and salt water.



1. Clear basket lid.
2. Quick connect barrel unions for UPVC pipe.
3. High grade carbon/graphite mechanical seal with 316 stainless steel spring assembly.
4. High performance motor:
 - IP55 rating
 - Motor shaft 431 grade stainless steel.
 - Fan cooled.
 - Thermal overload protection
5. Stable support base.
6. Hydraulically efficient impeller and diffuser design.
7. Strong single piece glass filled thermoplastic pump body.
8. Drain plugs.
9. Extra large strainer basket – captures debris and protects the impeller.
10. Motor protection bracket protects the motor from a leaking mechanical seal

Motor Pump Protection Bracket

Situated between the pump wet end & the pump motor, a mechanical seal forms a seal around the motor shaft to prevent water from travelling along the motor's shaft.

The mechanical seal is the wearing part of any pool pump. A mechanical seal may leak water if the pump is ever run dry or simply worn out. The "Motor Protection Bracket" adds a 60.5mm separation between the pump's wet end and its motor. It is designed to protect the pump motor by draining any leaks from a worn out mechanical seal.

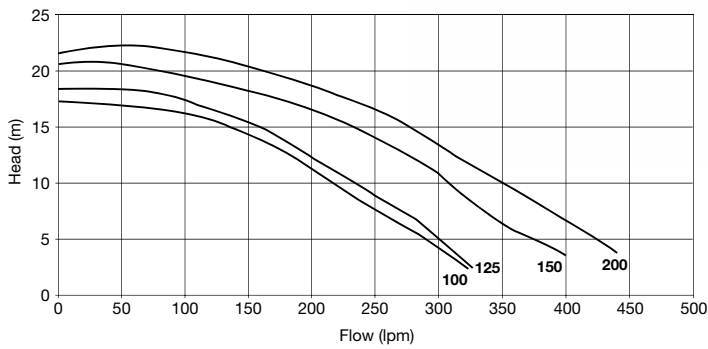
	Strainer basket size
Hydrostorm	2.1L
Hydrostorm Plus	2.25L
Hydrostar	6L

Hydrostorm

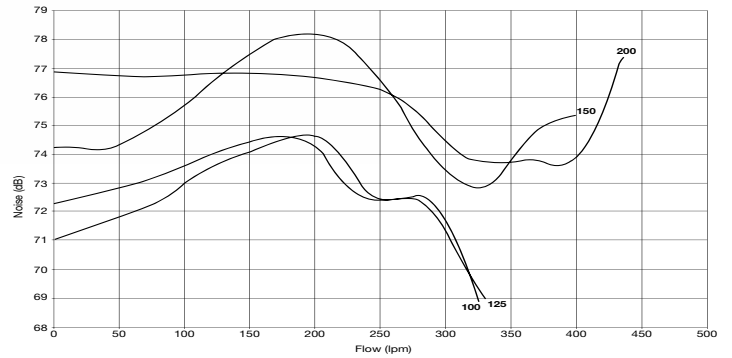
The Hydrostorm is designed to deliver all the extra power you need to cope with modern day swimming pool designs.



Flow Curves



Sound Levels



Technical specification

Model	Flow rate (lpm)		Nom. HP	kW	Amps	Phase	Total Length (mm)	Motor Frame (mm)	Inlet/Outlet
	8m	10m							
Hydrostorm 100	250	225	1	0.91	4.00	1	600	71	50mm ports x / 50mm unions
Hydrostorm 125	270	245	1.25	1.08	4.80	1	600	71	50mm ports x / 50mm unions
Hydrostorm 150	350	315	1.5	1.31	5.80	1	647	80	50mm ports x / 50mm unions
Hydrostorm 200	370	350	2	1.46	6.60	1	647	80	50mm ports x / 50mm unions

Phase	Volts	Cycle	RPM
1	220-240	50	2860

Dimension

