



by Electrodrive **TugEVO**



Reducing the Risks of Injuries in the Workplace



The Tug EVO is designed to improve workplace efficiencies whilst reducing the risk of serious injuries sustained by manually moving heavy or awkward loads.

The Tug EVO allows a single operator to quickly and easily hitch to a load and move it. Steering with the tiller handle allows the operator to walk in front of a heavy load, reducing strain on the lower back, shoulders and legs, whilst maximising forward vision to reduce the possibilities of collisions.

We know safely moving loads is important in the workplace, so we have designed the Tug EVO to be serviced easily and quickly, ensuring the equipments availability for use in the workplace.

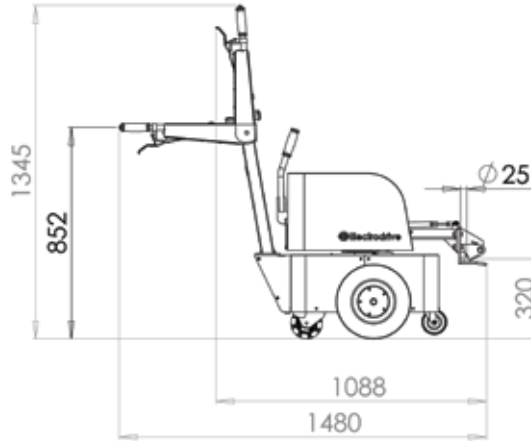
With a throttle controlled 3 speed governor, the Tug EVO is easy to drive, navigate corners and stop.

The Tug EVO is available in capacities of 1, 2 or 3.5 tonne.

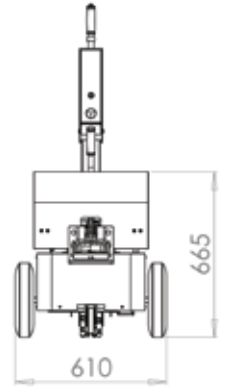
-  Capacity: 1, 2, & 3.5 tonne models available
-  Move heavy trolleys and wheel objects safely and efficiently
-  Quiet, smooth operation with zero emissions
-  Low maintenance
-  Easy attachment to trolleys, manual or automated hitches available
-  Simple to use, no driver's licence required
-  Training and servicing programs available
-  Comprehensive 12 month warranty on all Electrodrive equipment

by Electrodrive **Tug EVO**

The Tug EVO comes standard with automatic electromagnetic park braking, forward and reverse drive controls, variable speed control, lever operated throttle and a high capacity programmable controller. As with all Electrodrive equipment, the Tug EVO comes with a comprehensive 12 month warranty, including parts and labour.



side view



front view

Controls



Hitches

